

# FANATEC®

## CSL ELITE STEERING WHEEL PORSCHE VISION GT



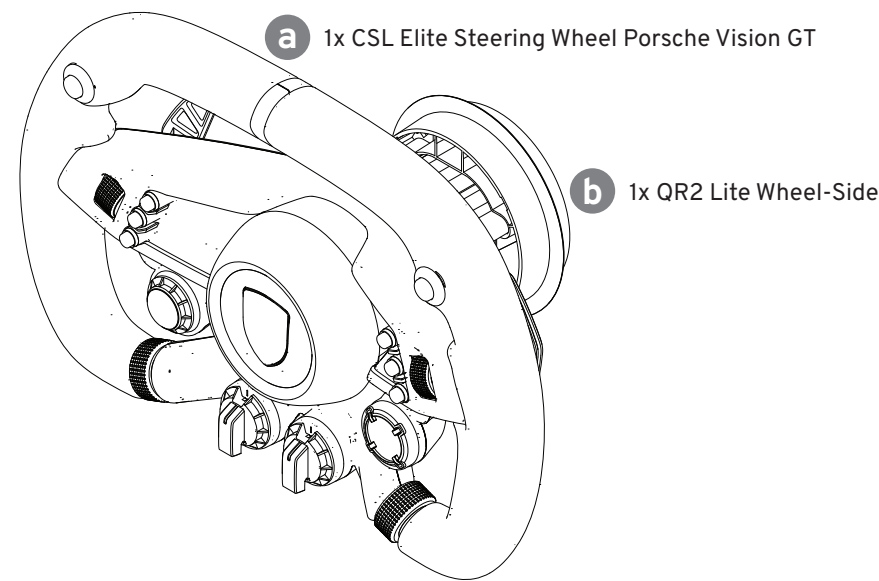
EN Quick Guide  
FR Guide De Démarrage Rapide  
DE Kurzanleitung  
ES Guía Rápida  
IT Guida Rapida  
PT Guia Rápido



Rev. 05

### A PACKAGE CONTENTS

FR Contenu de l'emballage; DE Lieferumfang; ES Contenido del embalaje;  
IT Contenuto della confezione; PT Conteúdo da embalagem



### B GETTING STARTED

FR Pour commencer; DE Erste Schritte; ES Cómo comenzar; IT Come iniziare; PT Começando



Fanatec.com/QR/CSL-E-PVGT



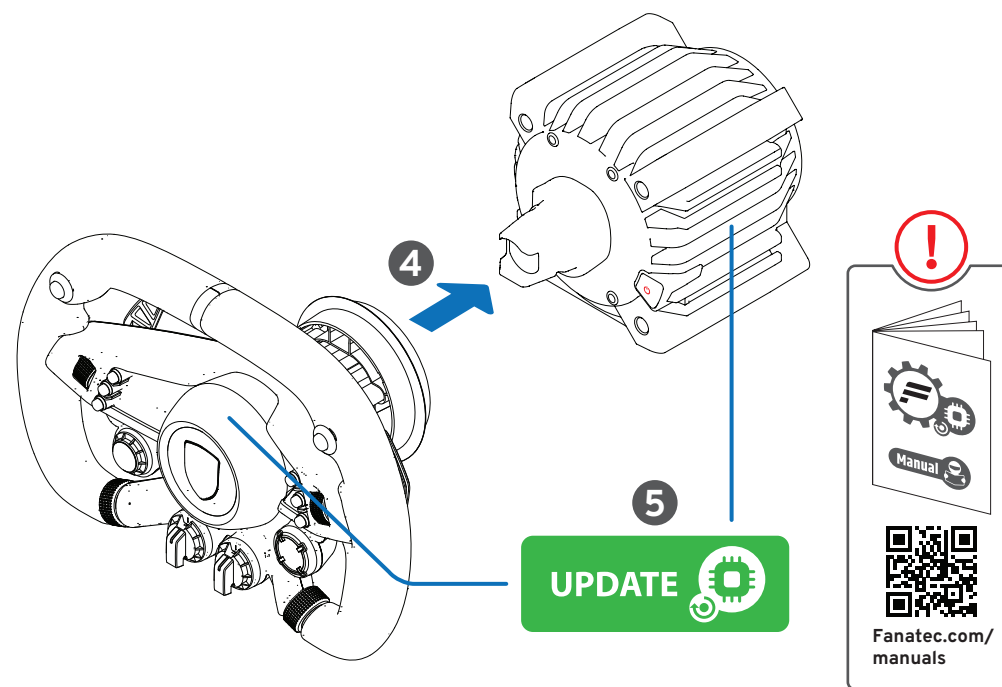
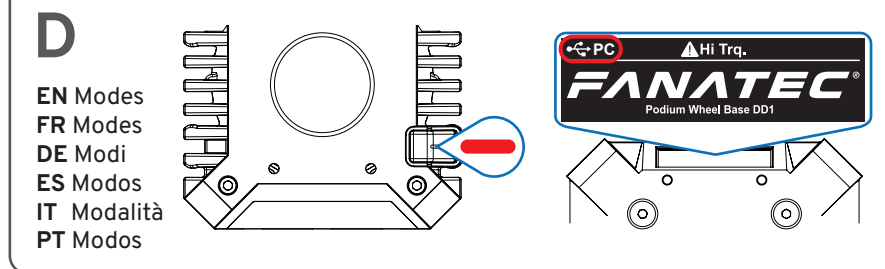
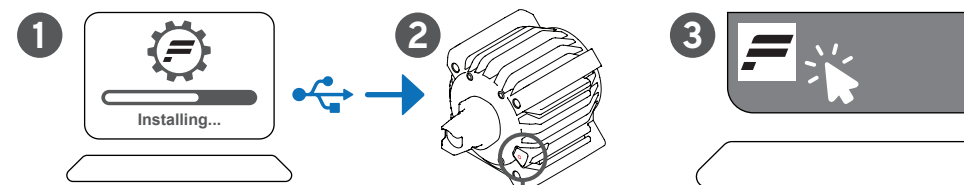
Fanatec.com/app



Fanatec.com/driver

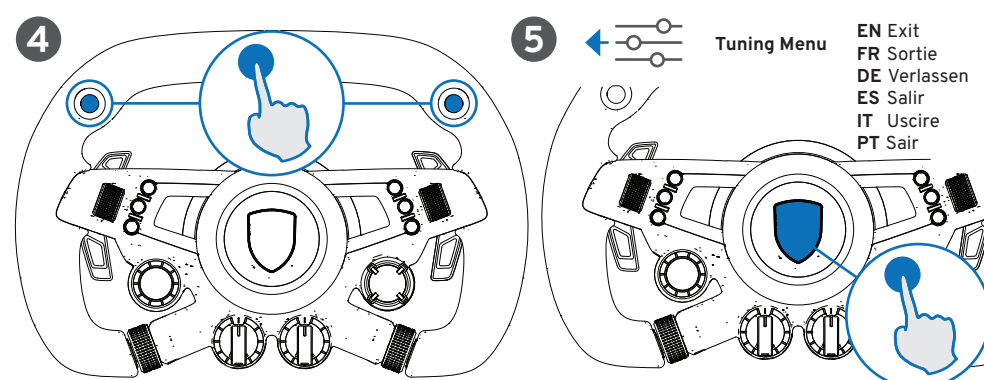
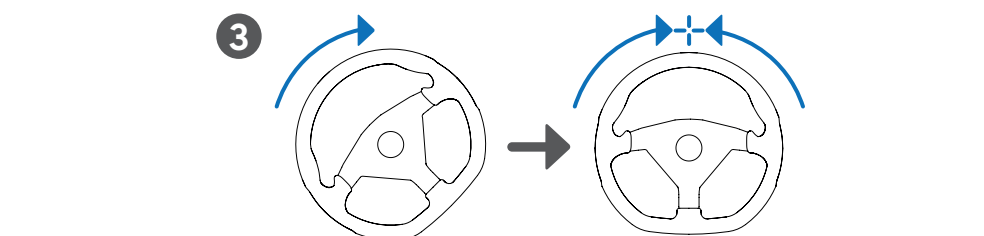
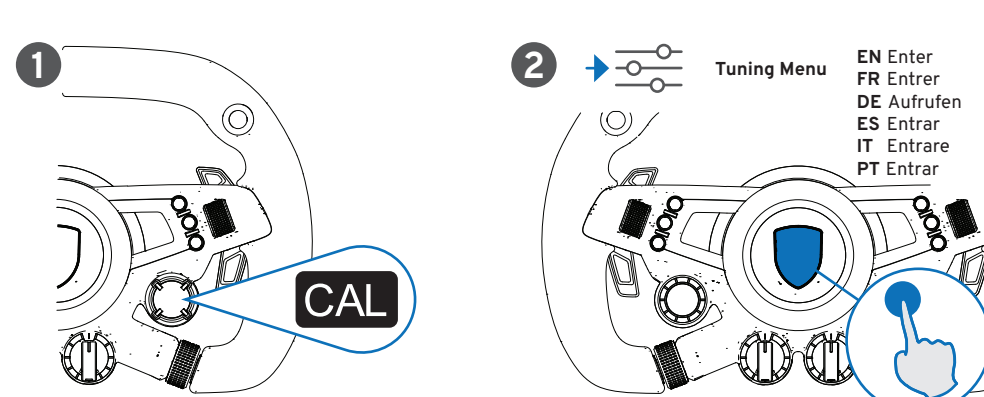
### C FIRMWARE UPDATE

FR Mise à jour du firmware; DE Aktualisierung der Firmware; ES Actualización del firmware;  
IT Aggiornamento del firmware; PT Atualização de Firmware



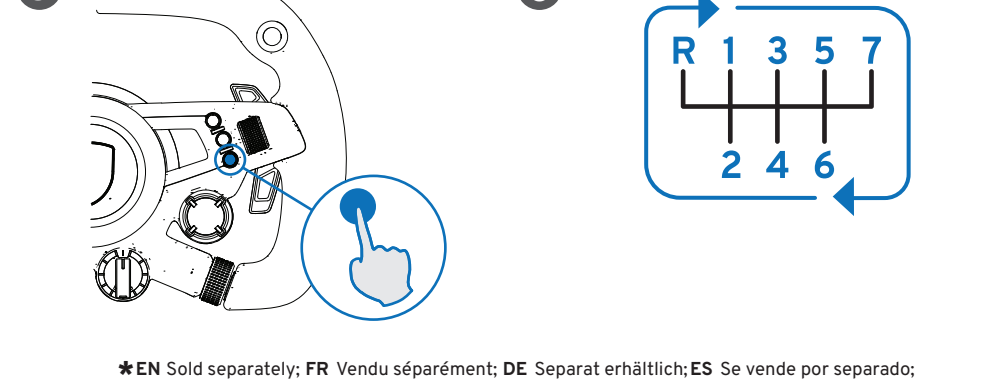
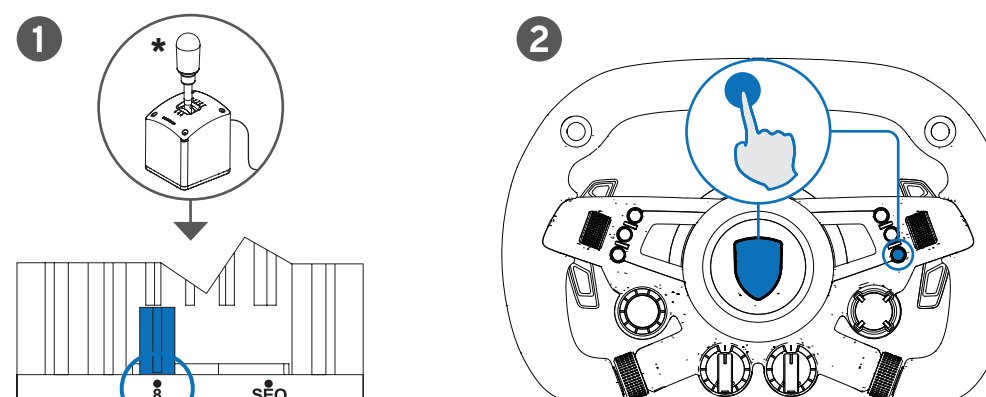
### D CENTRE CALIBRATION

FR Calibrage du centre de volant; DE Kalibrierung der Mittelstellung; ES Centrado del volante;  
IT Calibrazione del centro del volante; PT Calibração do centro



### E SHIFTER CALIBRATION

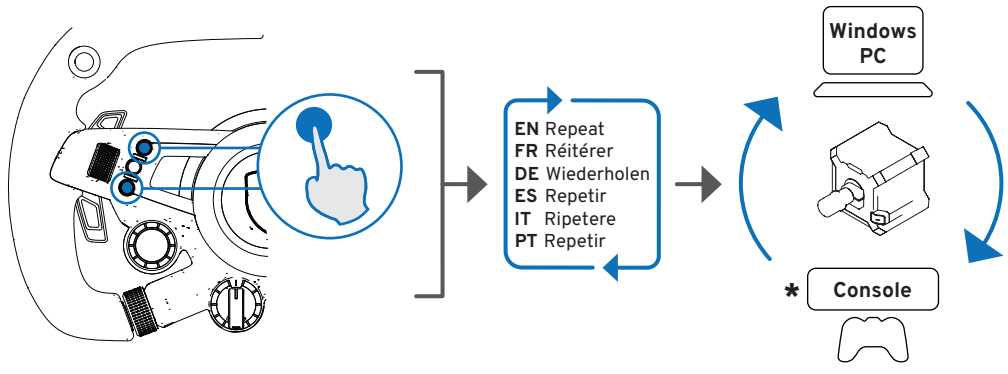
FR Calibrage du levier de vitesses; DE Kalibrierung des Schalthebels;  
ES Calibración de la palanca de cambios; IT Calibrazione del cambio; PT Calibragem de mudanças



\*EN Sold separately; FR Vendu séparément; DE Separat erhältlich; ES Se vende por separado;  
IT Venduto separatamente; PT Vendido separadamente

# F MODES

FR Modes; DE Modi; ES Modos; IT Modalità; PT Modos

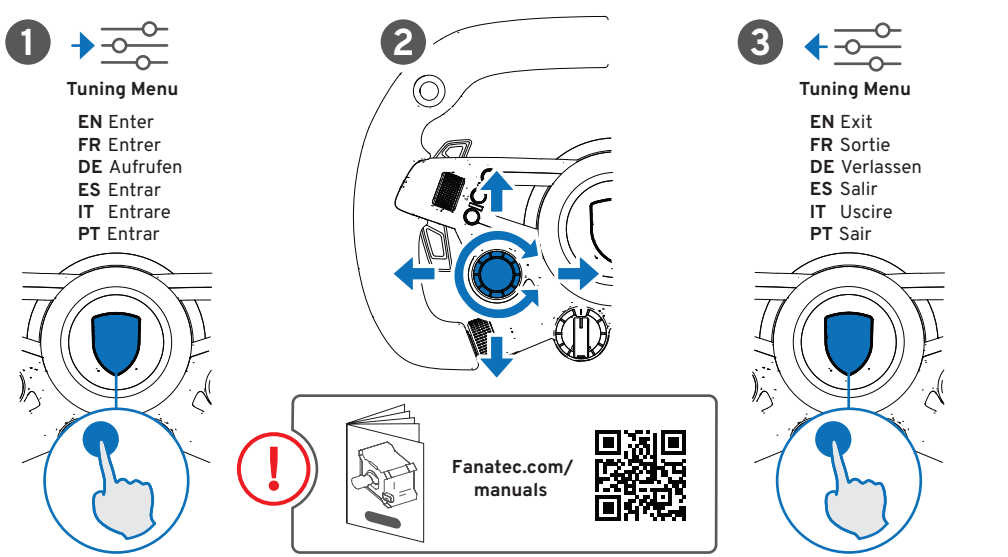


**! Fanatec.com/manuals**

\* EN Wheel Base Dependent  
FR Dépendant de la base du volant  
DE Je nach Wheel Base  
ES Dependiente de la Base del Volante  
IT Dipendente dalla base del volante  
PT Dependente da base do volante

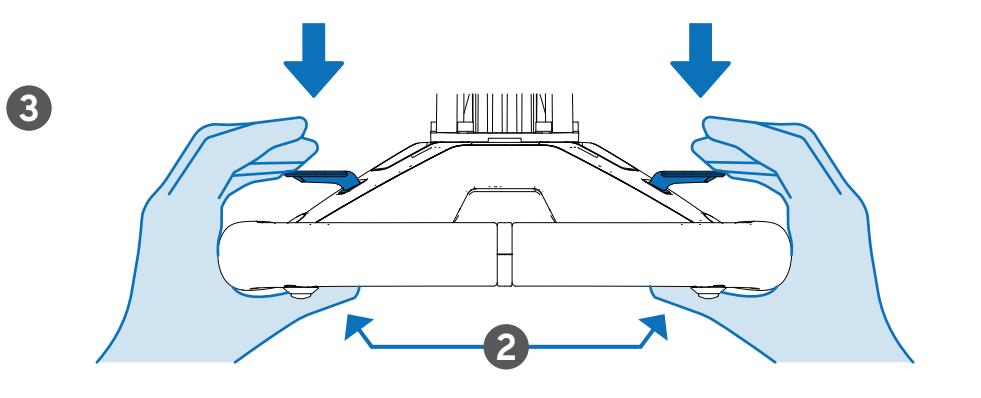
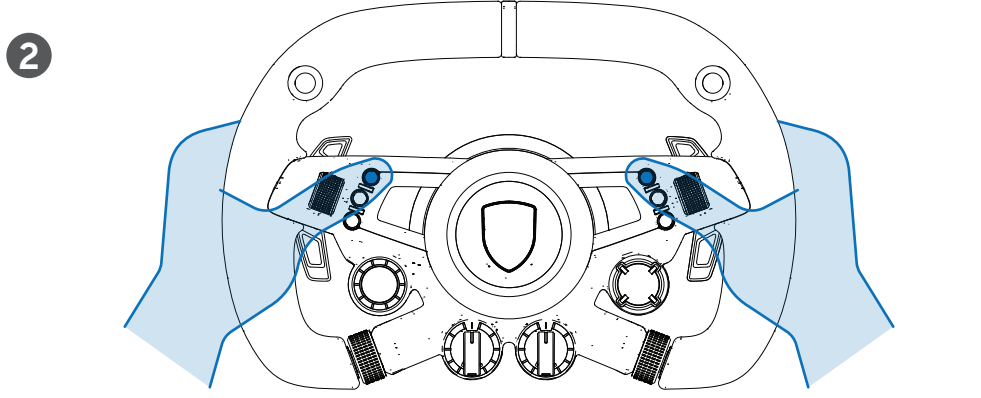
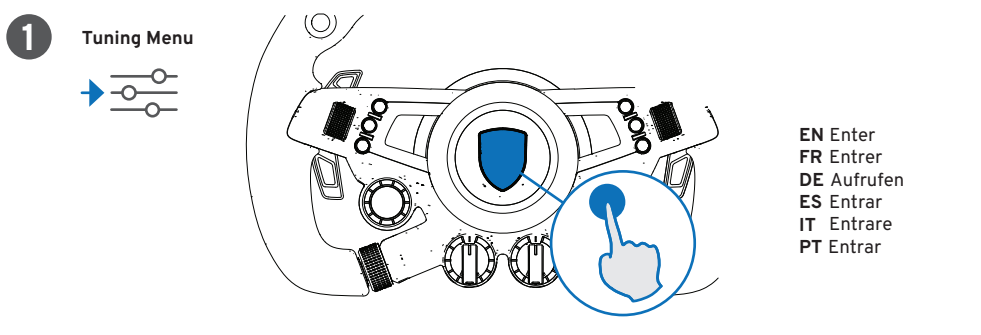
# G TUNING OPTIONS

FR Ajustement; DE Einstellung; ES Configuración; IT Regolazione; PT Configuração



# H PADDLE CALIBRATION

FR Calibrage; DE Kalibrierung; ES Calibración; IT Calibrazione; PT Calibração

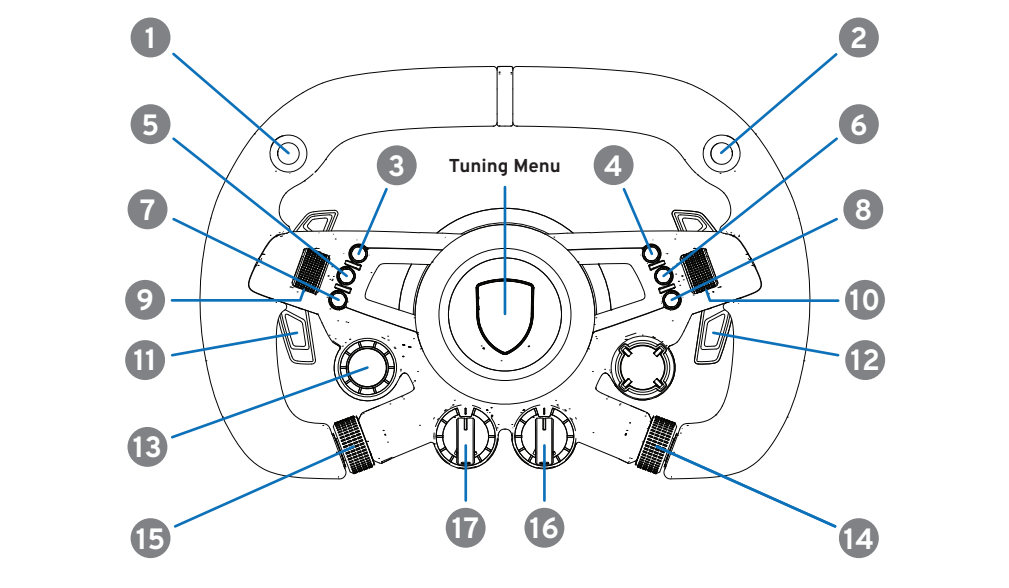
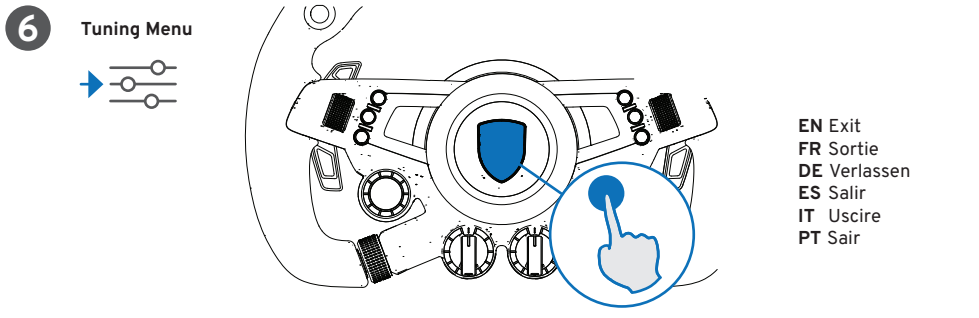
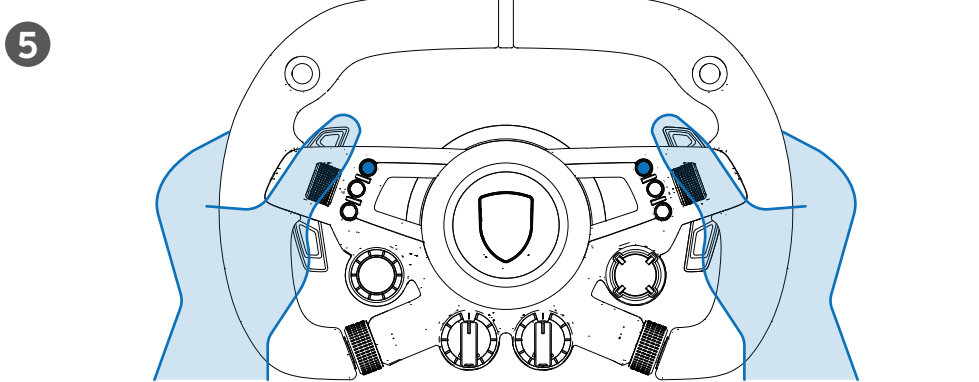
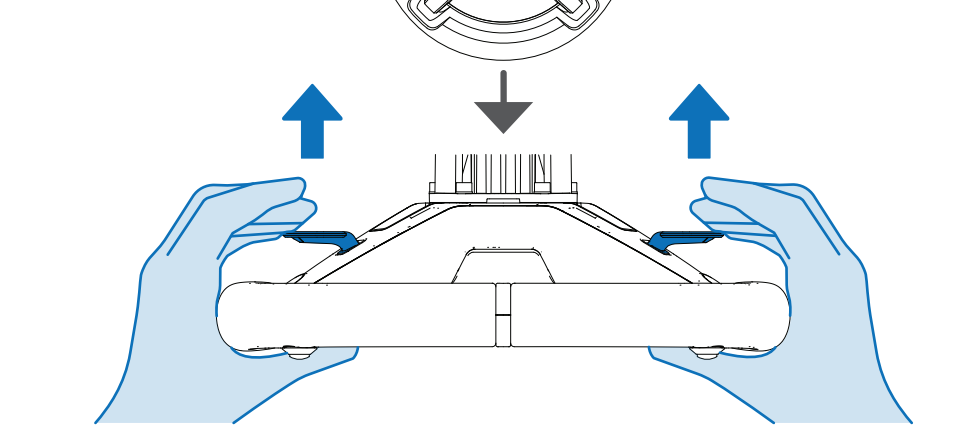


# I BUTTON MAPPING

FR Mappage des boutons; DE Tastenbelegung; ES Asignación de botones; IT Mappatura dei pulsanti; PT Mapeamento de botões

#	PC	PlayStation®
1	8	L2
2	7	R2
3	4	△
4	3	○
5	1	□
6	2	X
7	9	√/
8	10	≡
9	↺ - 27 / ↻ - 21	GSB
10	↺ - 35 / ↻ - 36	GSB
11	5	L1
12	6	R1
13	↕ ↗ ↘ ↙ ● → 22	↕ ↗ ↘ ↙ ● → PS
14	↺ - 23 / ↻ - 24	↺ - GSB / ↻ - GSB
15	↺ - 108 / ↻ - 107	↺ - GSB / ↻ - GSB
16	↺ - 96 / ↻ - 95	↺ - GSB / ↻ - GSB
17	ENC: ↺ - 38 / ↻ - 37 MPS: 39 - 48	ENC: ↺ - GSB / ↻ - GSB MPS: GSB - GSB
	ENC: ↺ - 50 / ↻ - 49 MPS: 51 - 60	ENC: ↺ - GSB / ↻ - GSB MPS: GSB - GSB

GSB = Game-Specific Button



# J SUPPORT

FR Support technique; DE Unterstützung; ES Soporte técnico; IT Supporto tecnico; PT Suporte técnico

**VIDEO GUIDE**

**APP**

Fanatec.com/QR/CSL-E-PVGT

Fanatec.com/app

Fanatec.com/support/faq

- EN** The product warranty is provided by CORSAIR MEMORY Inc. Refer to the terms & conditions of CORSAIR MEMORY Inc. on fanatec.com.
- FR** La garantie du produit est fournie par CORSAIR MEMORY Inc. Veuillez consulter les conditions générales de CORSAIR MEMORY Inc. sur fanatec.com.
- DE** Die Produktgarantie wird von der CORSAIR MEMORY Inc. gewährt. Bitte beachten Sie die Allgemeinen Geschäftsbedingungen der CORSAIR MEMORY Inc. auf fanatec.com.
- ES** La garantía del producto la proporciona CORSAIR MEMORY Inc. Consulte los términos y condiciones de CORSAIR MEMORY Inc. en fanatec.com.
- IT** La garanzia del prodotto è fornita da CORSAIR MEMORY Inc. Consultare i termini e le condizioni di CORSAIR MEMORY Inc. su fanatec.com.
- PT** A garantia do produto é fornecida pela CORSAIR MEMORY Inc. Consulte os termos e condições da CORSAIR MEMORY Inc. em fanatec.com.

**FANATEC®**

Telephone: 00800 0 FANATEC or +49 (871) 9221-122  
US/CAN Telephone: 011 800 0 FANATEC or +49 (871) 9221-122  
Australia Telephone: 00800 0 FANATEC or +49 (871) 9221-122  
Japan Telephone: 03-6717-2719 or +49 (871) 9221-122  
Email: info.webshop@fanatec.com  
Internet: www.fanatec.com - www.corsair.com

**FC** This device complies with part 15 of the FCC rules. The operation of this device is subject to the following two conditions:  
- This device may not cause harmful interference, and must accept any interference received, including interference that may cause undesired operation.  
- This device was not modified differently than described explicitly in this user manual.

**WARNING:** Choking Hazard - small parts. Not for children under 6 years.

**!** For home and office use only.

CORSAIR MEMORY, BV.  
Wormerweg 8, 1311 XB, Almere, Netherlands  
CORSAIR COMPONENTS, Ltd.  
1020 Eskdale Road, Wincorsh Triangle,  
Wokingham, RG41 5TS, UK  
CORSAIR MEMORY, Inc.  
115 North McCarthy Blvd, Milpitas, CA 95035, USA

© [2024] Porsche AG, Porsche Logotype, are trademark of Porsche AG used under license. Designed in Germany Made in China