

FANATEC

PODIUM STEERING WHEEL BENTLEY GT3

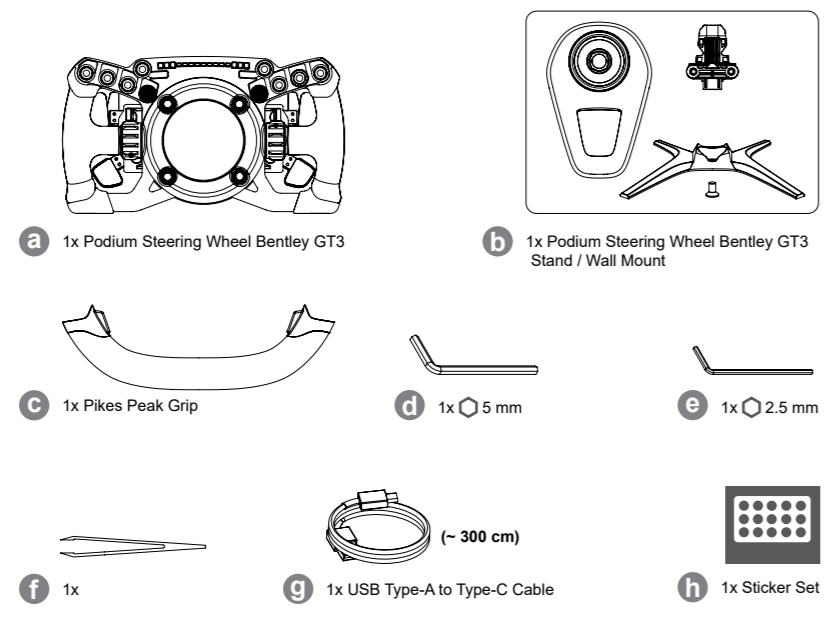


EN Quick Guide
FR Guide De Démarrage Rapide
DE Kurzanleitung
ES Guía Rápida
IT Guida Rapida
PT Guia Rápido

Rev. 05

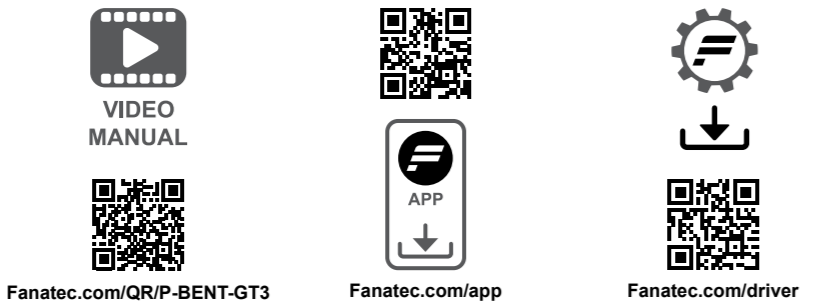
A PACKAGE CONTENT

FR Contenu de l'emballage; DE Lieferumfang; ES Contenido del embalaje; IT Contenuto della confezione; PT Conteúdo da embalagem



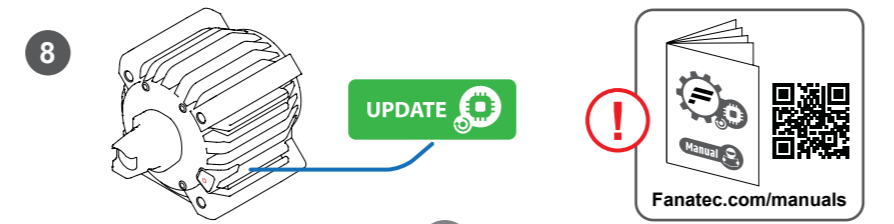
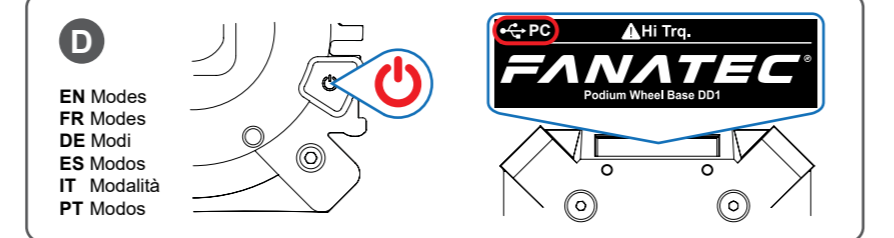
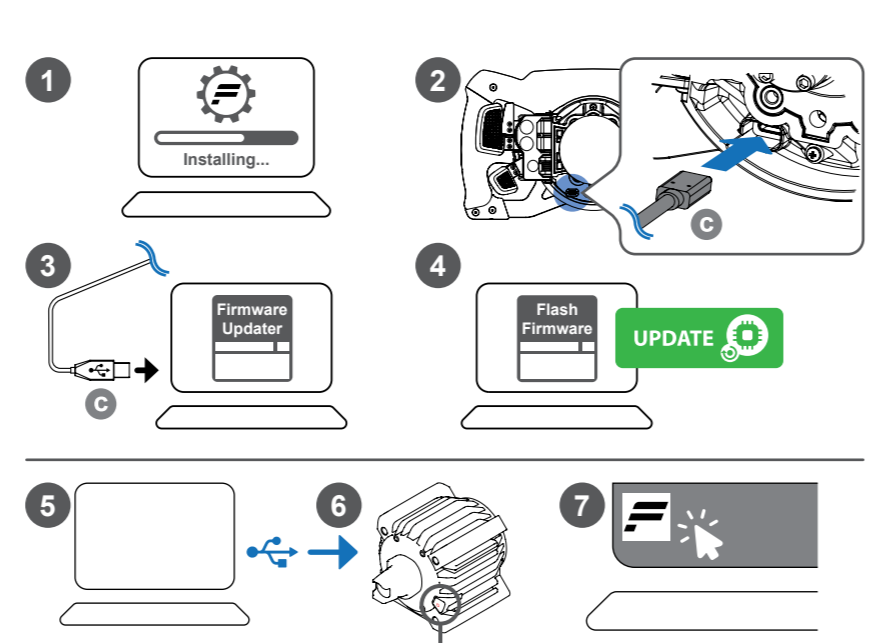
B GETTING STARTED

FR Pour commencer; DE Erste Schritte; ES Cómo comenzar; IT Come iniziare; PT Começando



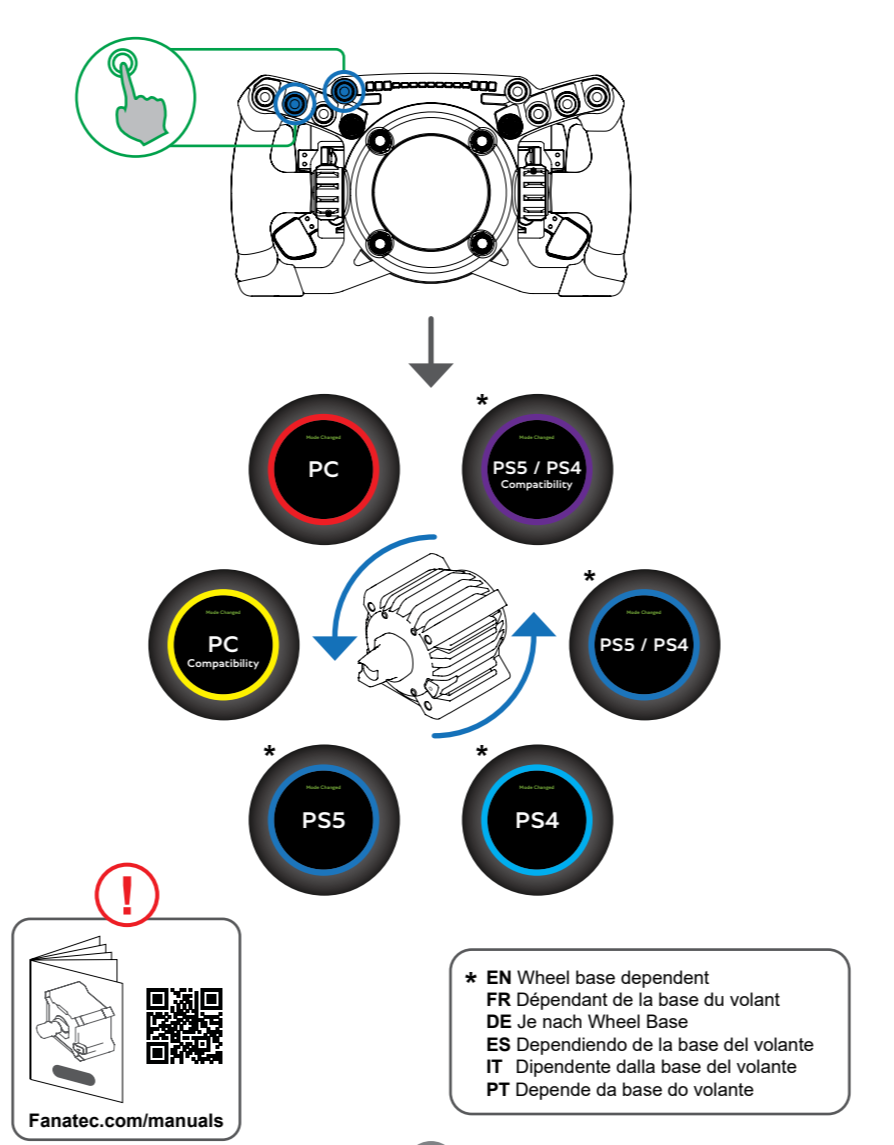
C FIRMWARE UPDATE

FR Mise à jour du firmware; DE Aktualisierung der Firmware; ES Actualización del firmware; IT Aggiornamento del firmware; PT Atualização de Firmware



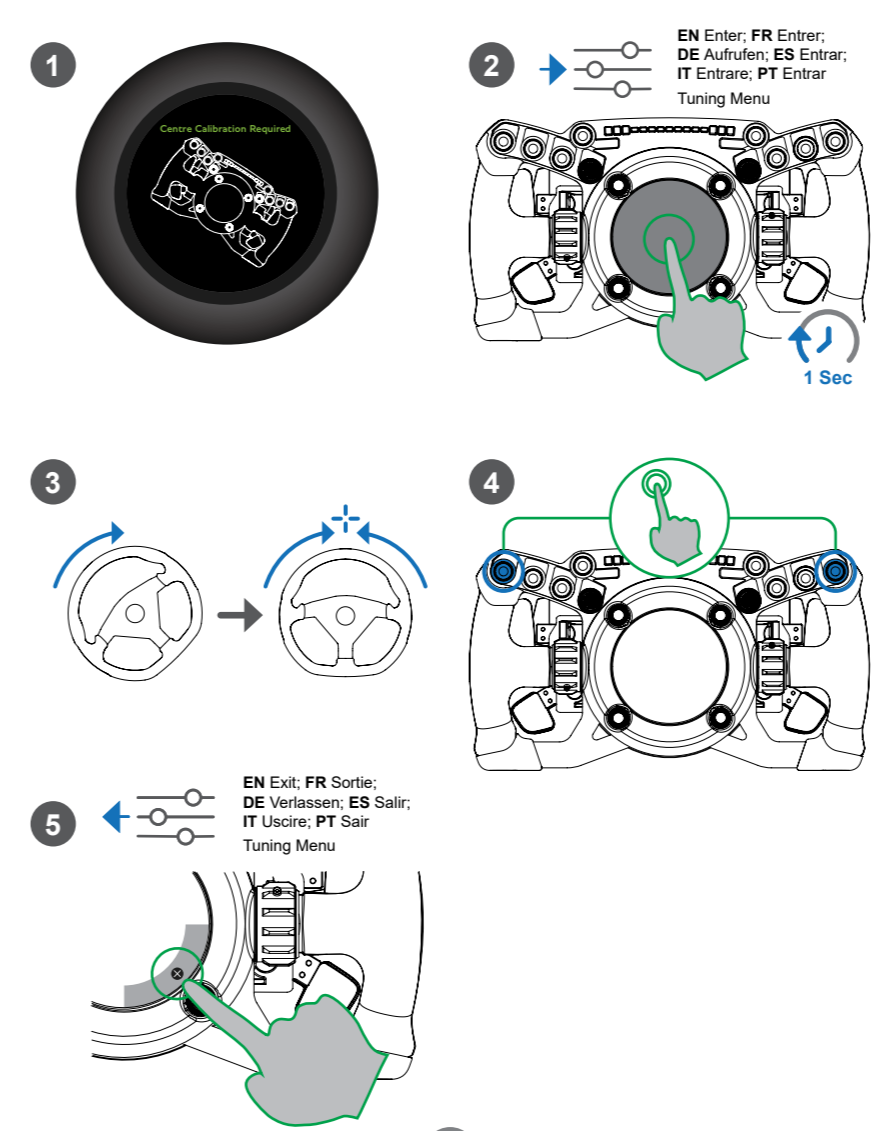
D MODES

FR Modes; DE Modi; ES Modos; IT Modalità; PT Modos



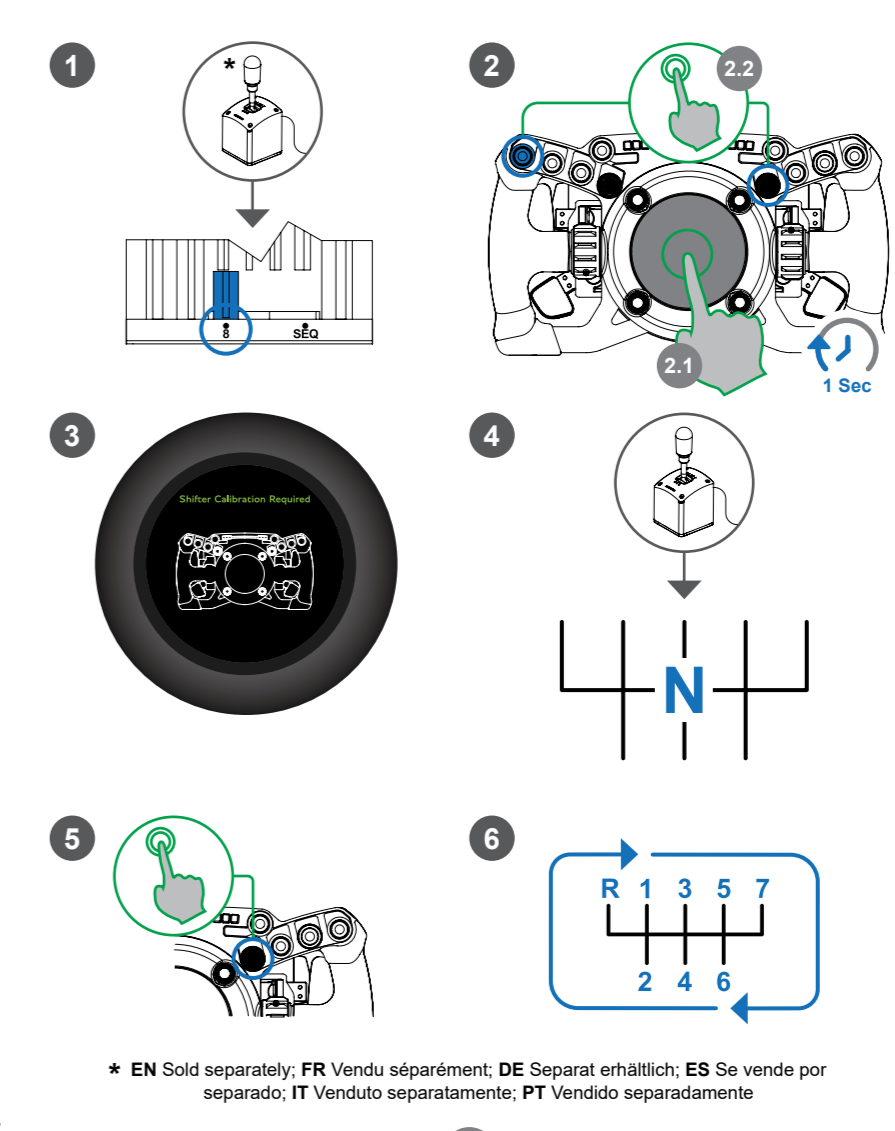
E CENTRE CALIBRATION

FR Calibrage du centre de volant; DE Kalibrierung der Mittelstellung; ES Centrado del volante; IT Calibrazione del centro del volante; PT Calibração do centro



F SHIFTER CALIBRATION

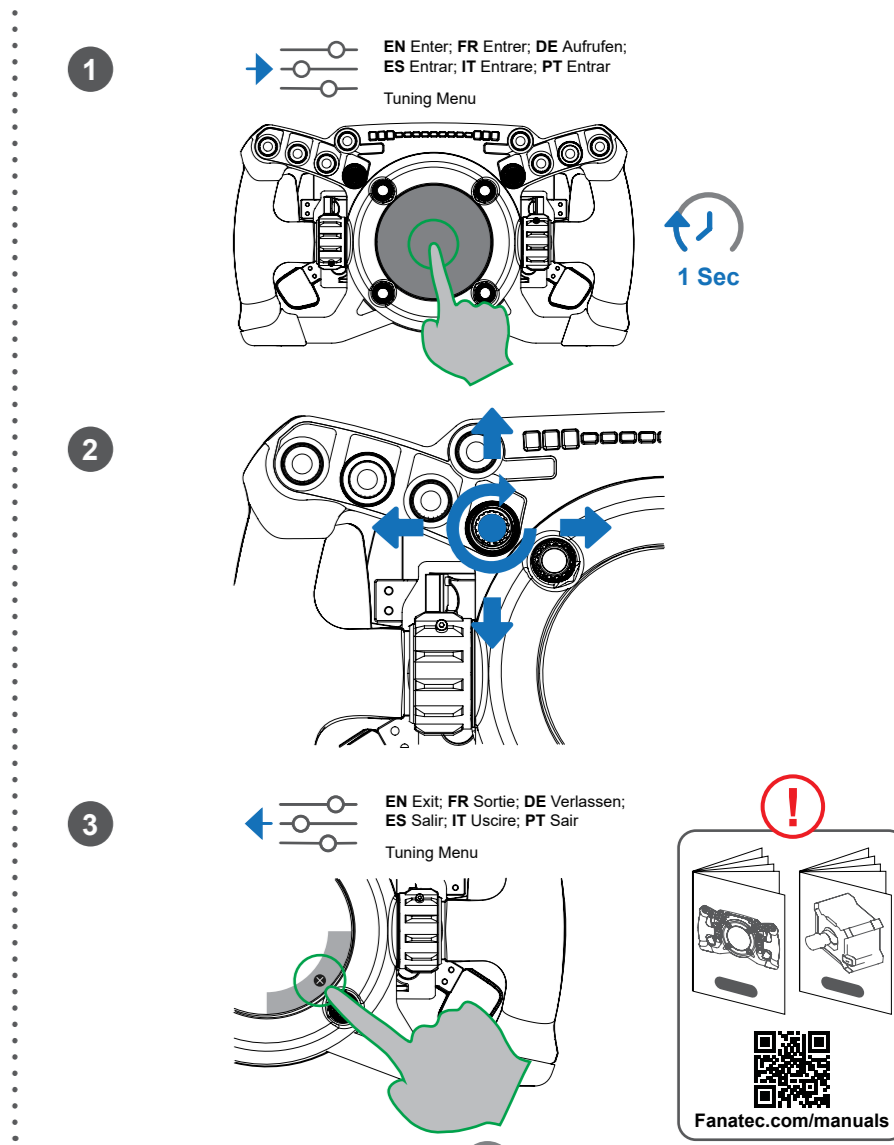
FR Calibrage du levier de vitesse; DE Kalibrierung des Schalthebels; ES Calibración de la palanca de cambios; IT Calibrazione del cambio; PT Calibragem de mudanças



* EN Sold separately; FR Vendu séparément; DE Separat erhältlich; ES Se vende por separado; IT Venduto separatamente; PT Vendido separadamente

G TUNING OPTIONS

FR Ajustement; DE Einstellung; ES Configuración; IT Regolazione; PT Configuração

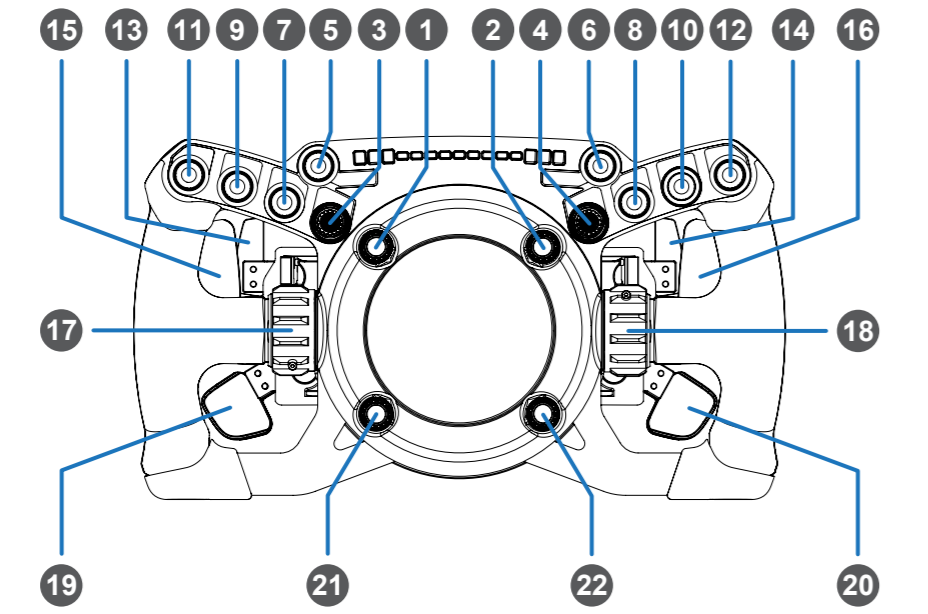


H BUTTON MAPPING

FR Mappage des boutons; DE Tastenbelegung; ES Asignación de botones; IT Mappatura dei pulsanti; PT Mapeamento de botões

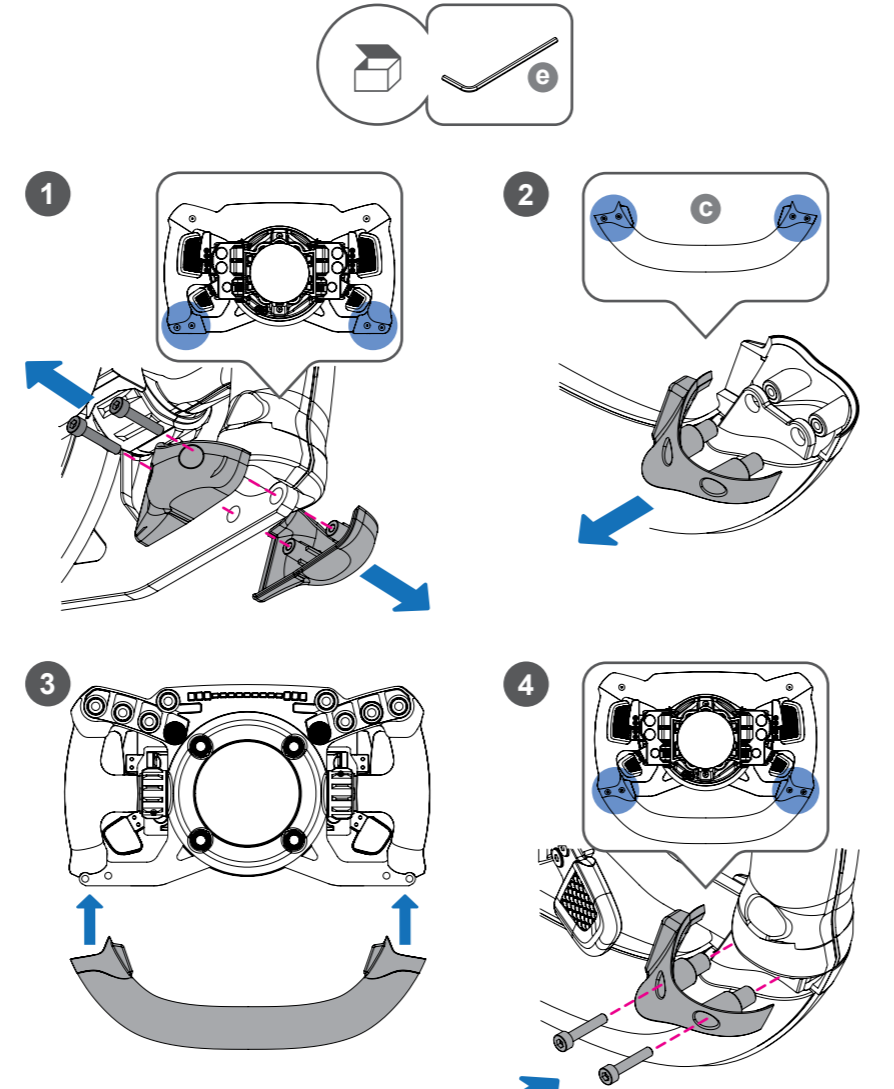
#	PC	PlayStation®
1	ENC: ⌚ - 78 / ⌚ - 77	ENC: No Function
2	ENC: ⌚ - 66 / ⌚ - 65	ENC: ⌚ *GSB / ⌚ *GSB
3	⬆️⬆️⬆️⬆️ ➡️ 25 ⌚ - 23 / ⌚ - 24	⬆️⬆️⬆️⬆️ ➡️ *GSB ⌚ *GSB / ⌚ *GSB
4	⬆️ - 100, ⬆️ - 10, ⬆️ - 99, ⬆️ - 11 ➡️ 26 ⌚ / ⌚	⬆️ *GSB, ⬆️ - L3, ⬆️ *GSB, ⬆️ - R3 ➡️ PS ⌚ *GSB / ⌚ *GSB
5	9	⌚ /
6	10	☰
7	1	☐
8	2	✕
9	4	△
10	3	○
11	8	L2
12	7	R2
13	61	*GSB
14	62	*GSB
15	6	L1
16	5	R1
17	⬆️ - 21; ⬆️ - 27	⬆️ *GSB; ⬆️ - *GSB
18	⬆️ - 36; ⬆️ - 35	⬆️ *GSB; ⬆️ - *GSB
19	Analogue Paddles: A = Clutch (Bite Point) Mode (S0) B = Handbrake + Clutch (S0 + S1) C = Brake + Throttle (RZ + Y) D = Mappable Analogue Axes (Left: RX / Right: RY) See Video Manual	
20		
21	ENC: ⌚ - 38 / ⌚ - 37	ENC: ⌚ *GSB / ⌚ *GSB
22	ENC: ⌚ - 50 / ⌚ - 49	ENC: ⌚ *GSB / ⌚ *GSB

* GSB = Game-Specific Button



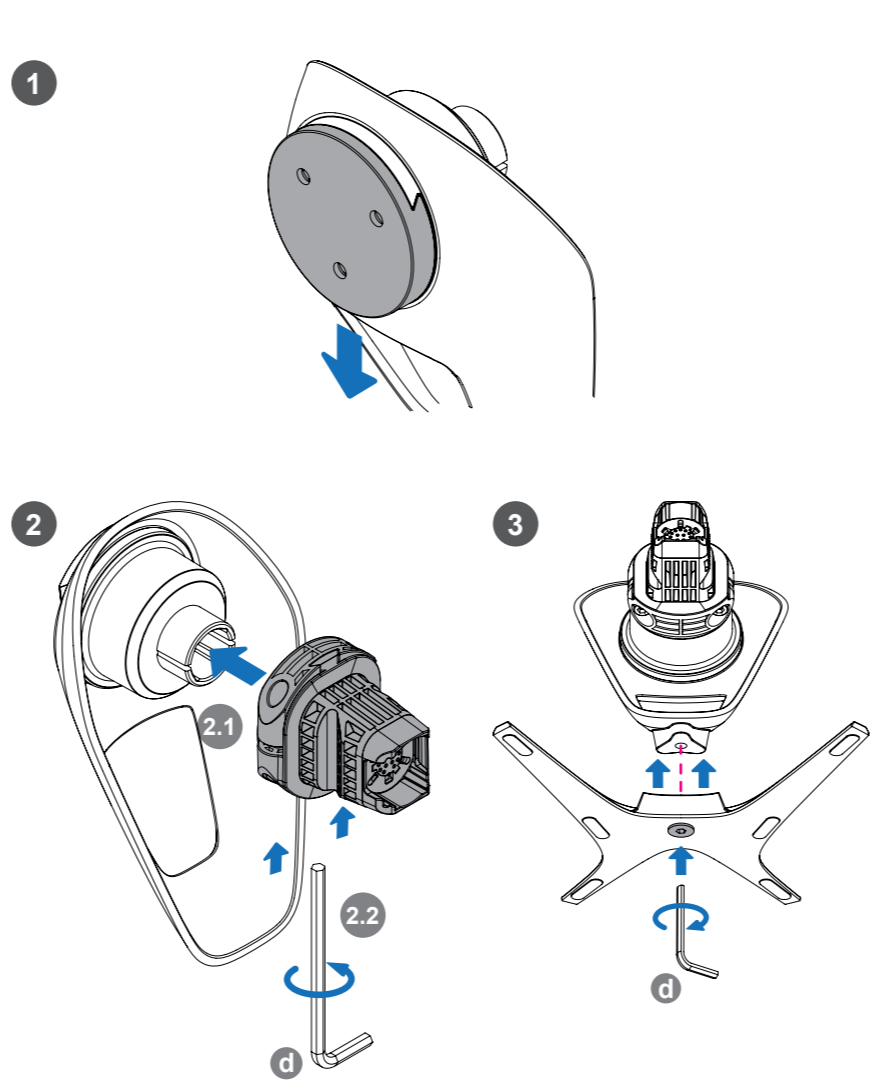
I PIKES PEAK GRIP

FR Poignée; DE Griff; ES Asa; IT Impugnatura; PT Punho



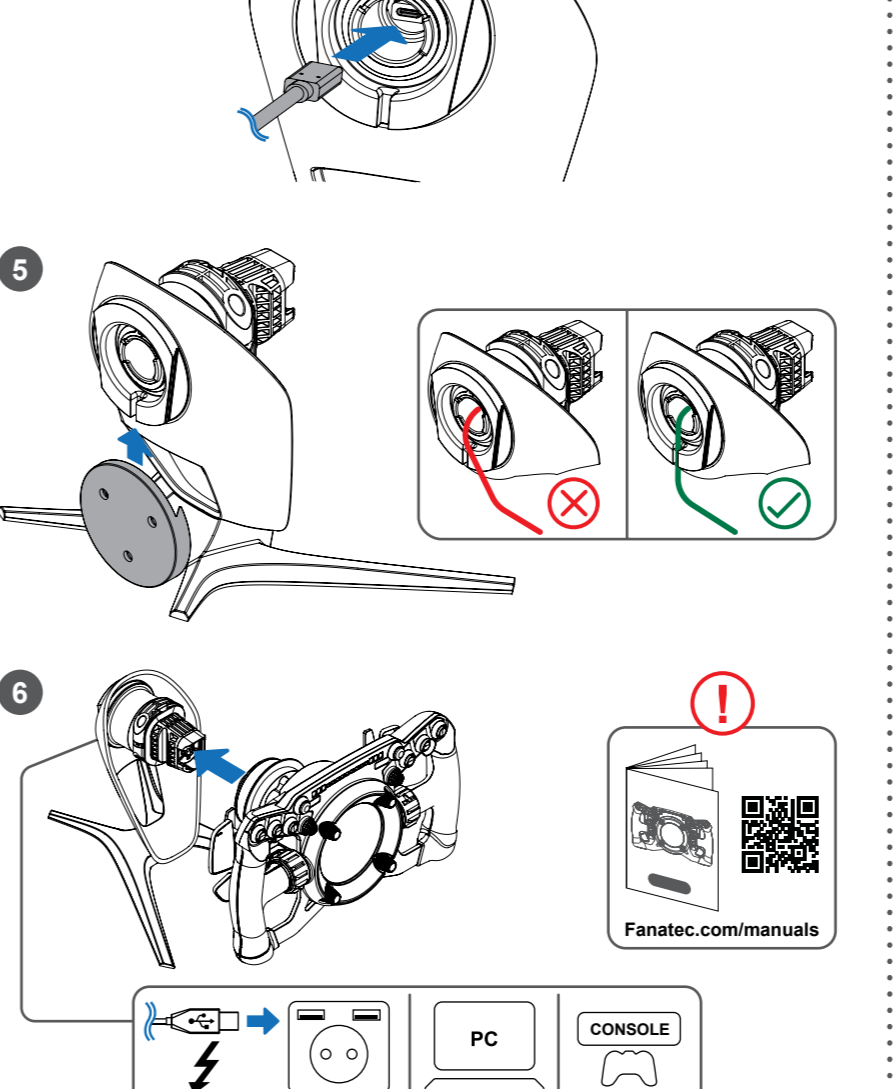
J DESK STAND

FR Support de bureau; DE Schreibtischständer; ES Soporte de escritorio; IT Supporto da tavolo; PT Suporte de secretária



K WALL MOUNT

FR Fixation au mur; DE Wandbefestigung; ES Montaje mural; IT Montaggio a parete; PT Montagem em parede



L SUPPORT

FR Support technique; DE Unterstützung; ES Soporte técnico; IT Supporto tecnico; PT Suporte técnico

EN Assembly instructions
FR Instructions de montage
DE Montageanleitung
ES Instrucciones de montaje
IT Istruzioni per il montaggio
PT Instruções de montagem

Fanatec.com/manuals

VIDEO MANUAL

Fanatec.com/qr/p-bent-gt3

APP

Fanatec.com/app

Fanatec.com/support/faq

EN The product warranty is provided by Endor AG. Refer to the included warranty sheet as well as the terms & conditions of Endor AG on fanatec.com.

FR Ce produit est sous la garantie d'Endor AG. Reportez-vous aux fiches de garantie incluses ainsi qu'aux conditions générales d'Endor AG sur fanatec.com.

DE Dieses Produkt unterliegt der Garantie der Endor AG. Beachten Sie die beiliegenden Garantieblätter sowie die Allgemeinen Geschäftsbedingungen der Endor AG auf fanatec.com.

ES Este producto está bajo garantía de Endor AG. Consulte las hojas de garantía incluidas, así como los términos y condiciones de Endor AG en fanatec.com.

IT Questo prodotto è coperto dalla garanzia di Endor AG. Fare riferimento ai fogli di garanzia inclusi nonché ai termini e condizioni di Endor AG su fanatec.com.

PT Este produto está sob garantia da Endor AG. Consulte as folhas de garantia incluídas, bem como os termos e condições da Endor AG em fanatec.com.

CE UK CA VCCI FC

This device complies with part 15 of the FCC rules. The operation of this device is subject to the following two conditions:

- This device may not cause harmful interference, and must accept any interference received, including interference that may cause undesired operation.
- This device was not modified differently than described explicitly in this user manual.

NOTE: This device was tested and approved to the limitations for class B of digital devices according to part 15 of the FCC rules. This limitation should ensure an adequate protection against harmful interferences in residential areas. However, a warranty for the non-recurring of interferences is not assumed.

Do not modify the device differently than explicitly described in the product-related user manual. Nevertheless, if you do modify the device differently than explicitly described in the product-related manual, you can be determined to stop the operation of the device.

China RoHS 2

China RoHS 2 refers to the Ministry of Industry and Information Technology Order No. 32, effective July 1, 2016, titled Management Methods for the Restriction of the Use of Hazardous Substances in Electrical and Electronic Products. To comply with China RoHS 2, we determined the product's Environmental Protection Use Period (EUP) to be 10 years in accordance with the Marking for the Restricted Use of Hazardous Substances in Electronic and Electrical Products, SJT 11364-2014.

Importers:

Imported and distributed by Endor America LLC
8200 Wilshire Blvd, Suite 200 - Beverly Hills CA 90211 - USA
Telephone: +1 321-655-3524
Email: webshop@fanatec.com
Website: www.fanatec.com - www.endor.ag

Endor Australia Pty Ltd
3 Staley Street, California Gully, Vic, 3556 - Australia
Telephone: 661 453 979 40
Email: webshop@fanatec.com
Website: www.fanatec.com - www.endor.ag

Endor Japan Kabushikigaisya
ES001 3-13-1, Harumi Cyuo-ku Tokyo-to
Tokyo 104-0053 - Japan
Telephone: 03-6717-719
Email: webshop@fanatec.com
Website: www.fanatec.com - www.endor.ag

Made in China under licence from Bentley Motors Limitede.

Manufactured and distributed by

ENDOR

Fanatec® is a registered trademark of Endor AG
Designed and developed by Endor AG in Germany

E.ON-Allee 3 - 84036 Landshut - Germany
EU: 00800 0 FANATEC or +49 (871) 9221-122
US/CANADA: 011 800 0 FANATEC or +49 (871) 9221-122
AUSTRALIA: 00800 0 FANATEC or +49 (871) 9221-122
JAPAN: +81 306 7172 -719
Email: info.webshop@fanatec.com
Website: www.fanatec.com - www.endor.ag
Made in China