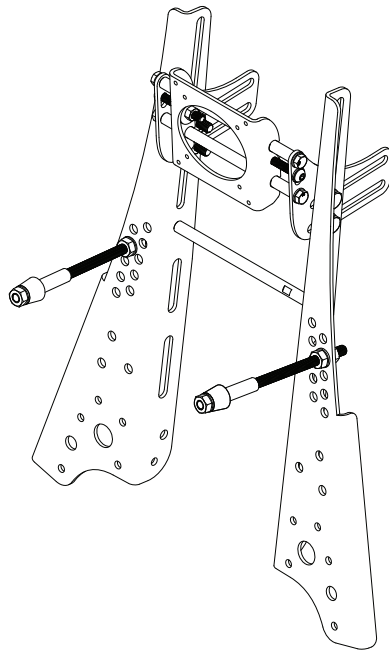


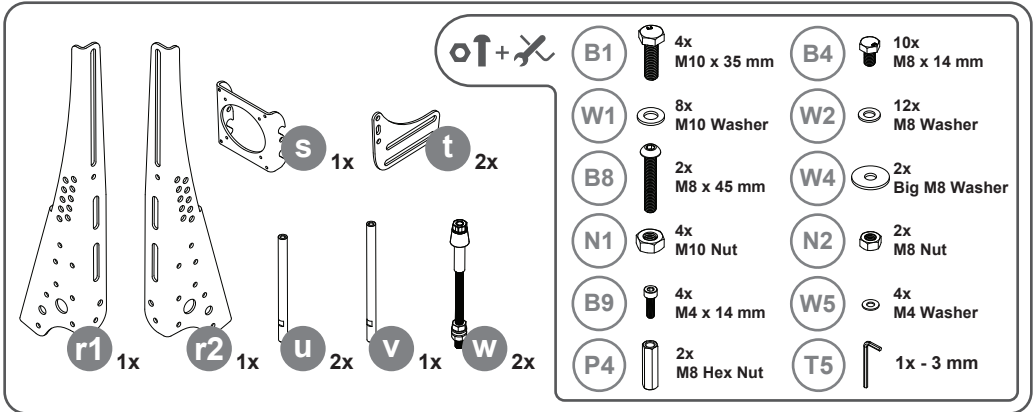
FANATEC®

CSL COCKPIT MONITOR HOLDER

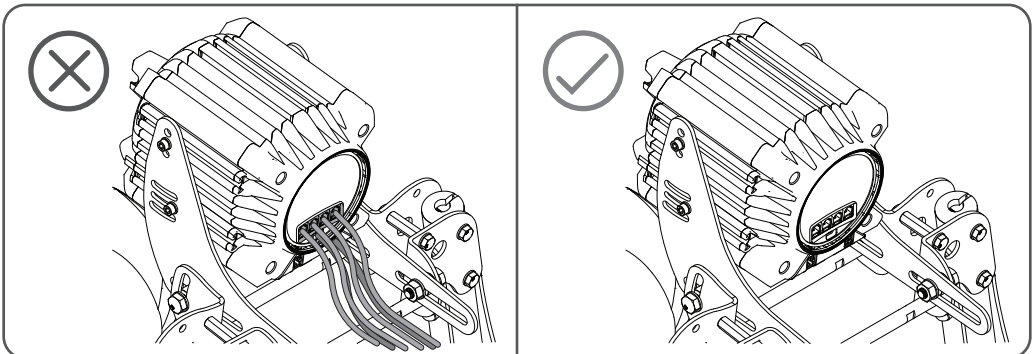
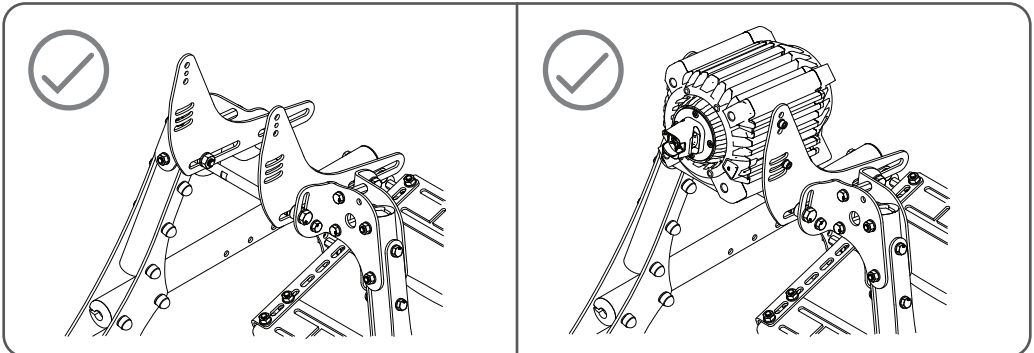


A**PACKAGE CONTENT**

FR Contenu de l'emballage; DE Lieferumfang; ES Contenido del embalaje; IT Contenuto della confezione; PT Conteúdo da embalagem

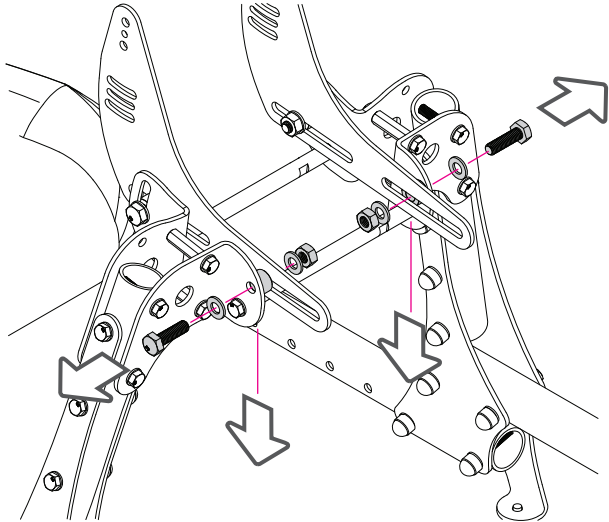
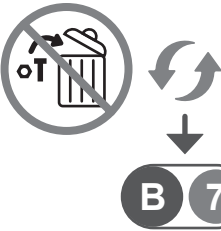
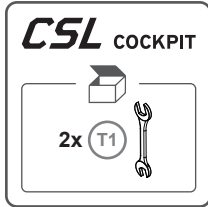
**B****GETTING STARTED**

FR Pour commencer; DE Erste Schritte; ES Cómo comenzar; IT Come iniziare; PT Começando

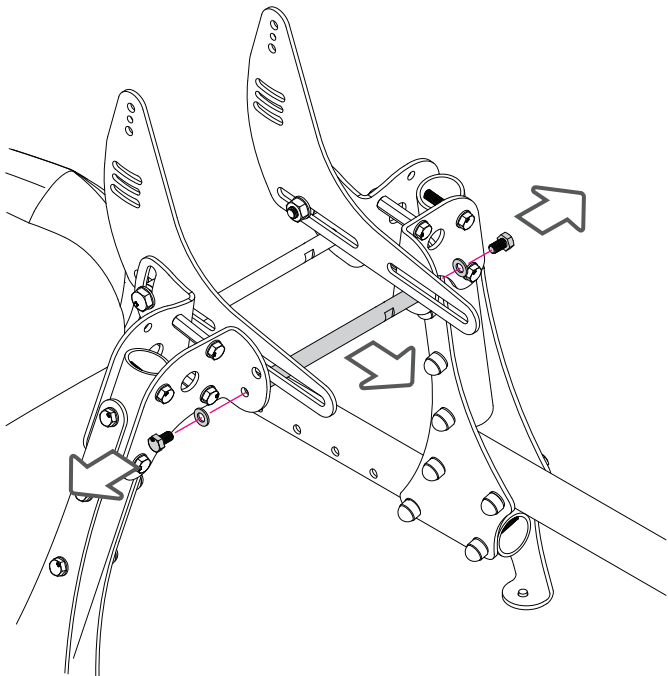
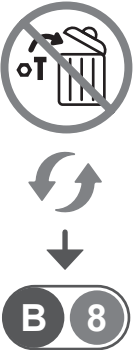


C**MONITOR HOLDER ASSEMBLY**

FR Assemblage; DE Zusammenbau; ES Montaje; IT Montaggio; PT Montagem

1**2**

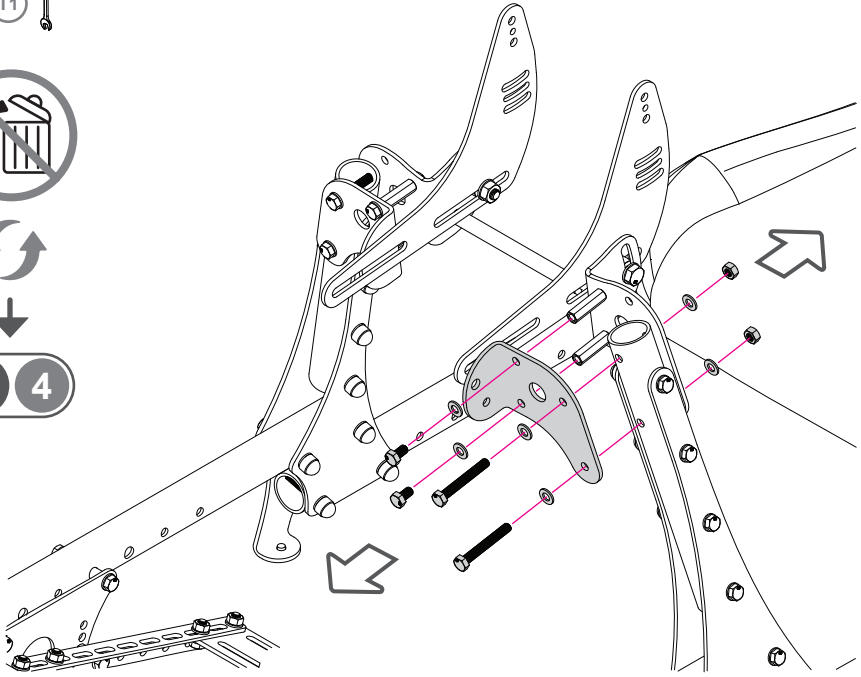
2x T1



3 2x T1 



B 4



4 1x r1

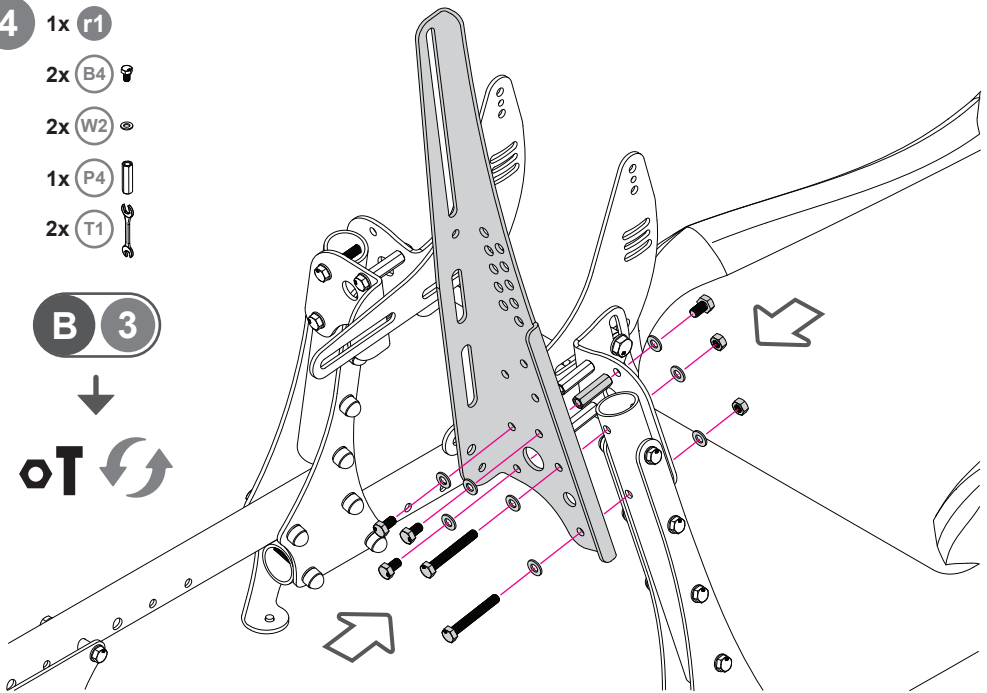
2x B4 

2x W2 

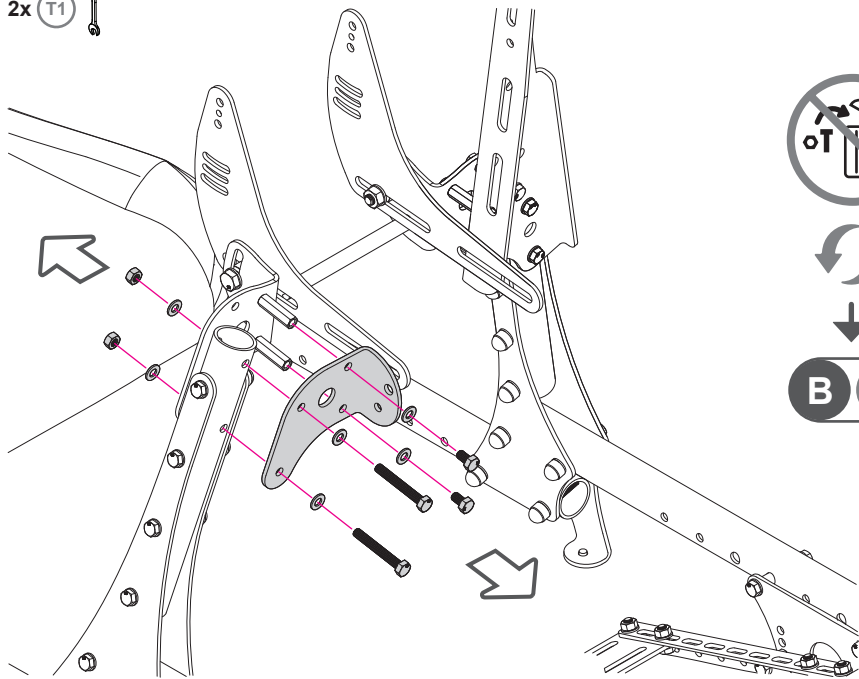
1x P4 

2x T1 

B 3



5 2x T1



B 6

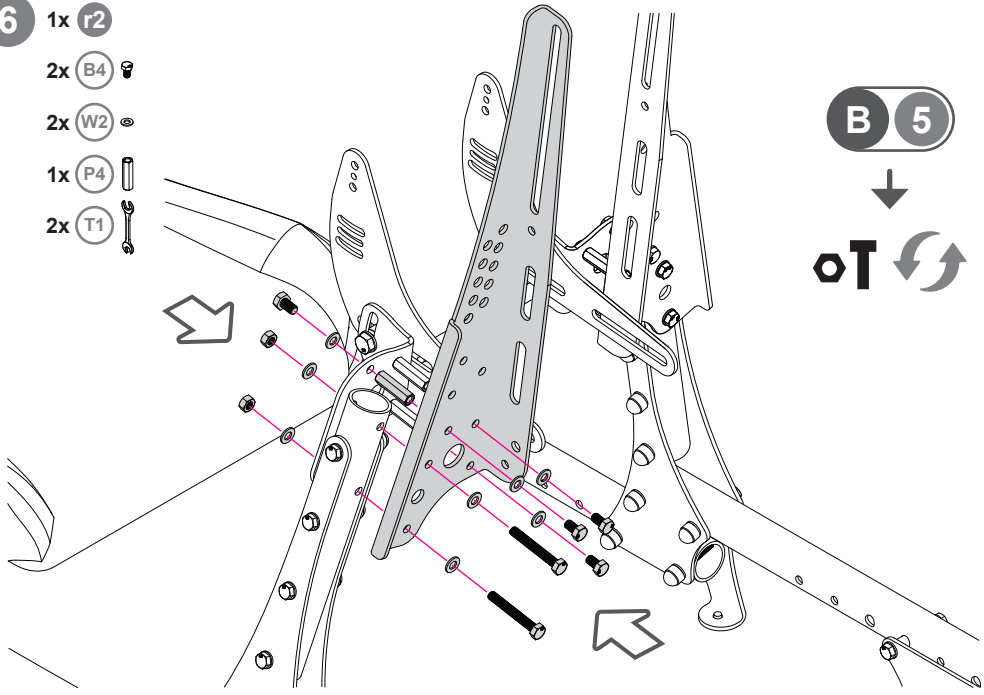
6 1x r2

2x B4

2x W2

1x P4

2x T1

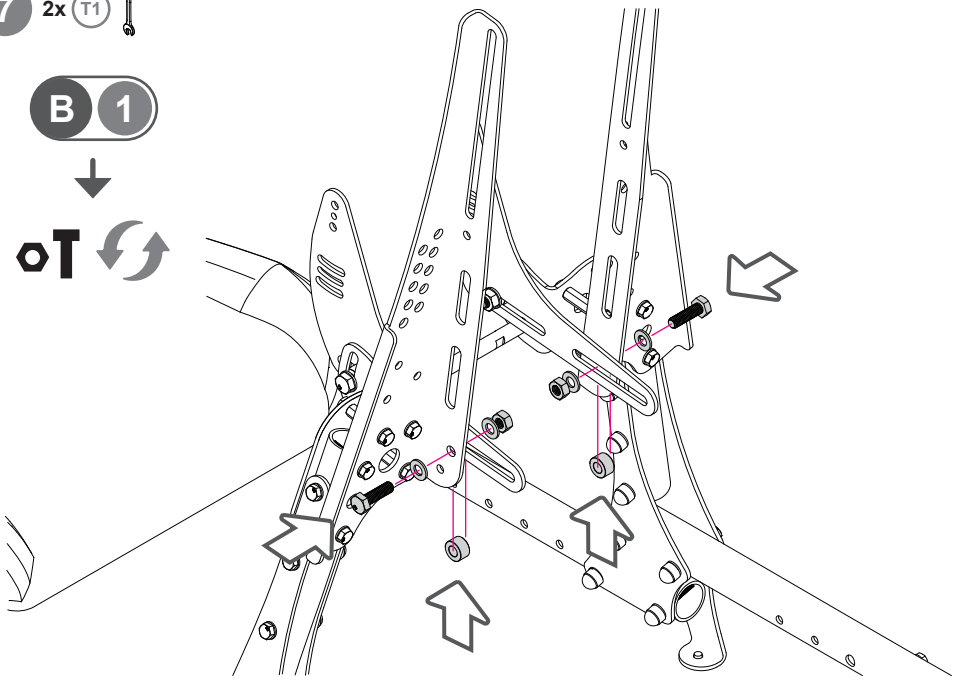


B 5



7 2x T1 

B 1



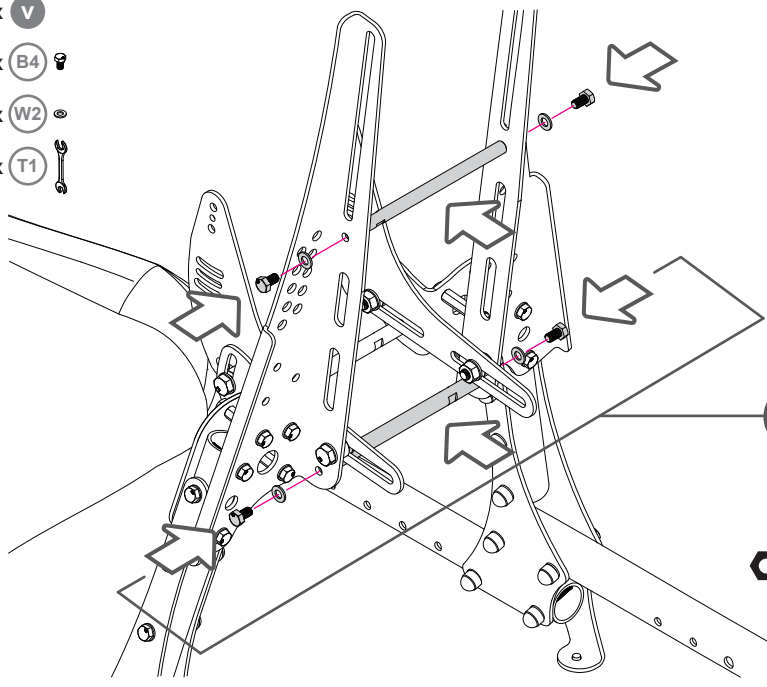
8 1x v

2x B4 

2x W2 

2x T1 

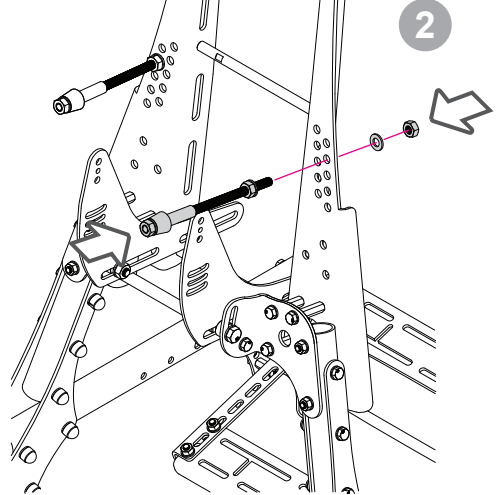
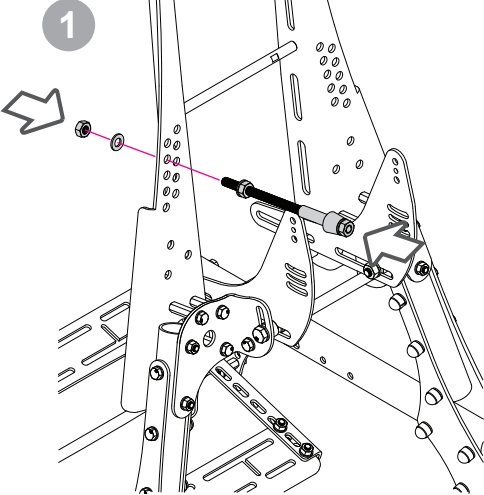
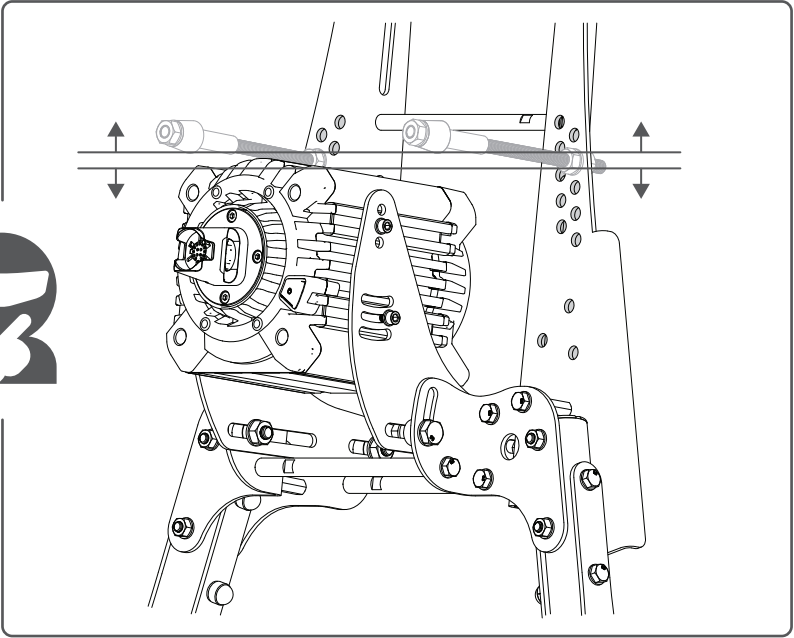
B 2



9

2x W

2x T1



10

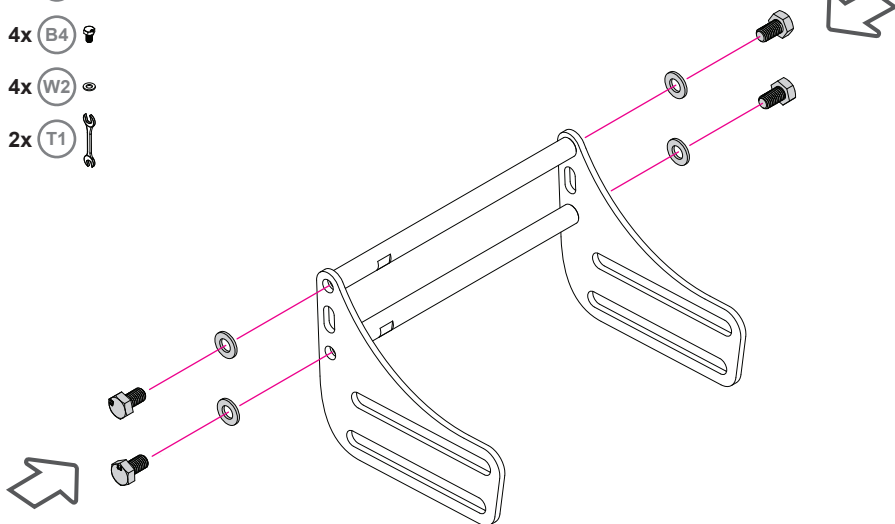
2x t

2x u

4x B4

4x W2

2x T1



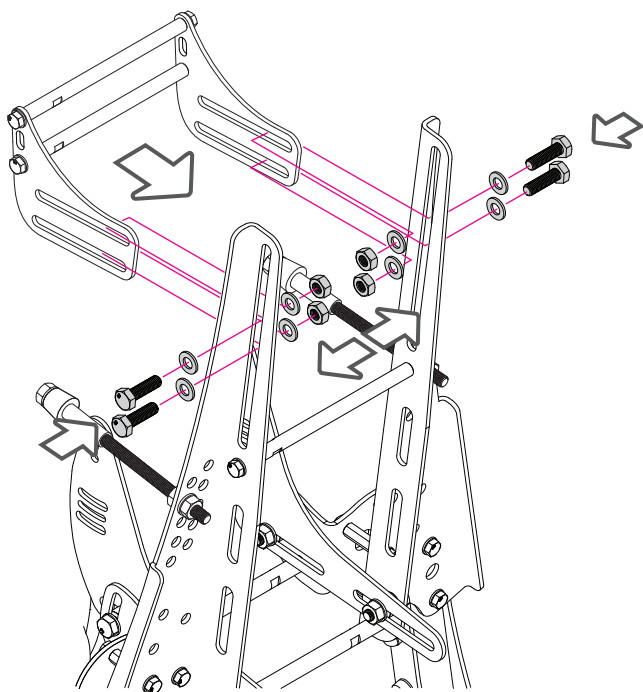
11

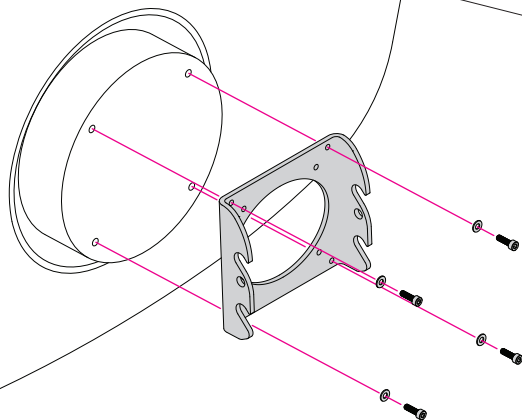
4x B1

8x W1

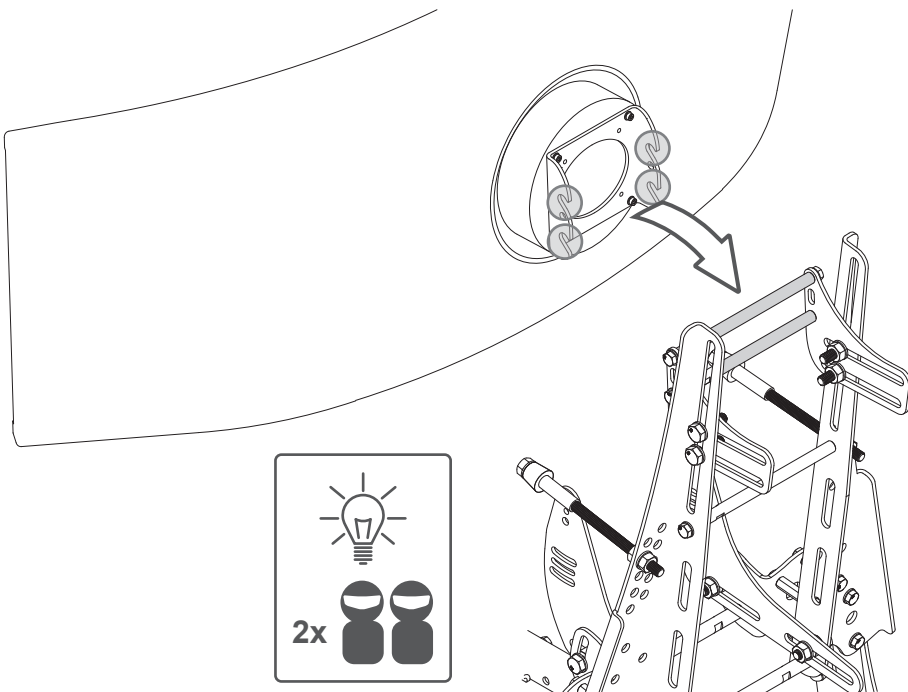
4x N1

2x T1



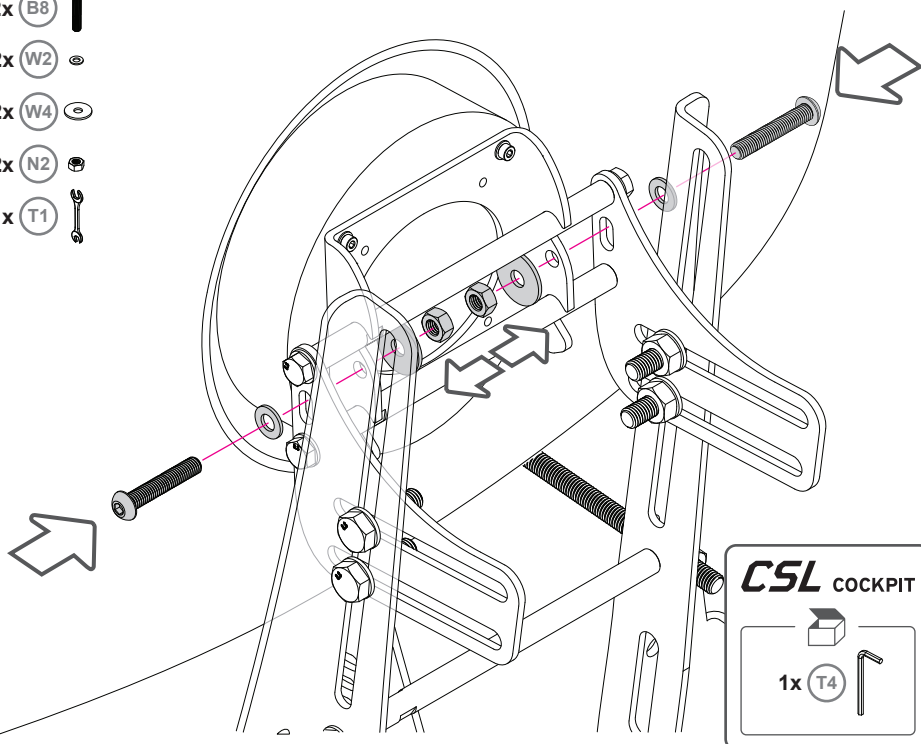
121x **S**4x **B9** 4x **W5** 1x **T5** 1x  *

- * EN Sold separately
- FR Vendu séparément
- DE Separat erhältlich
- ES Se vende por separado
- IT Venduto separatamente
- PT Vendido separadamente

13

14

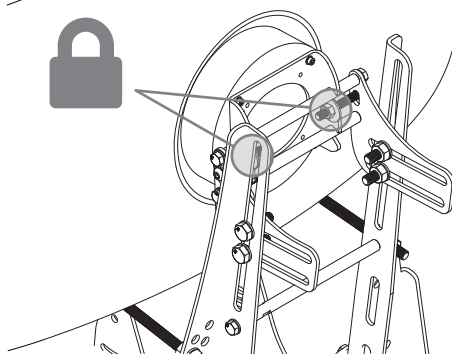
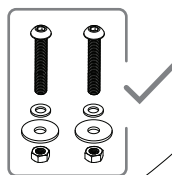
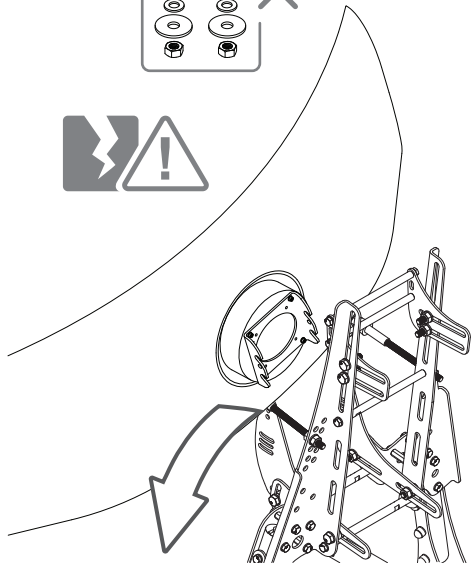
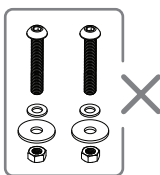
- 2x (B8) 
- 2x (W2) 
- 2x (W4) 
- 2x (N2) 
- 1x (T1) 

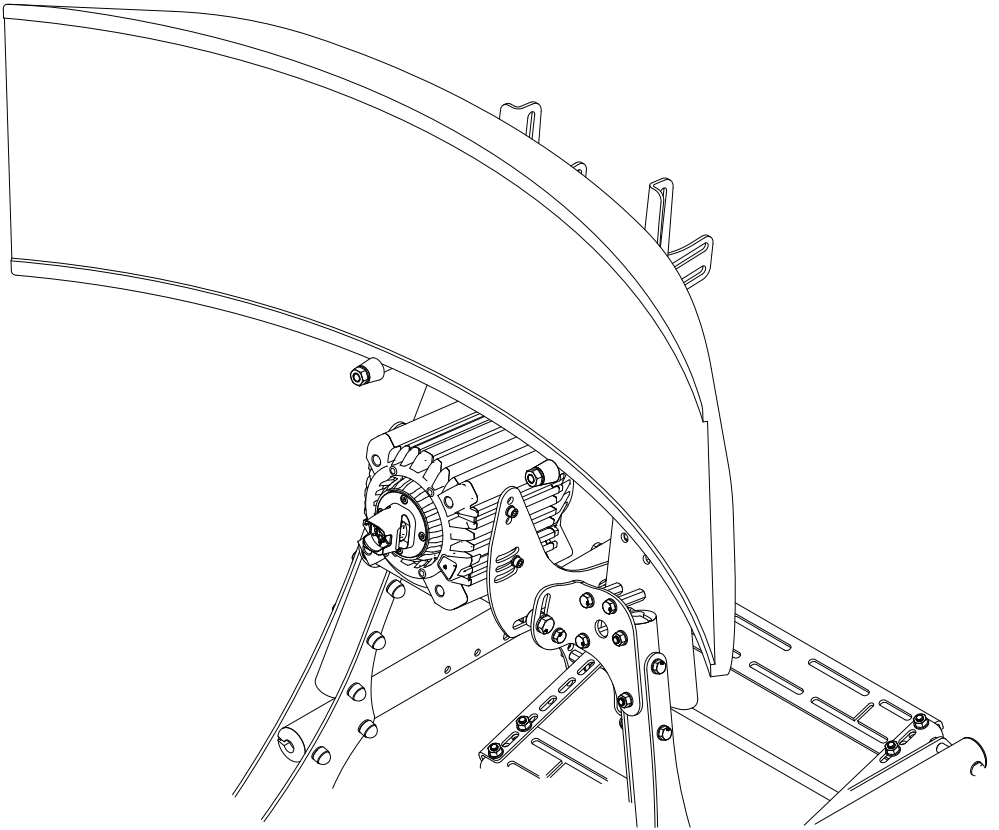
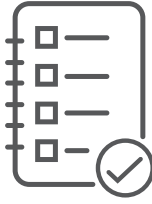


CSL COCKPIT



1x (T1) 







FR Support technique; DE Unterstützung; ES Soporte técnico; IT Supporto tecnico; PT Suporte técnico



VIDEO
MANUAL



Fanatec.com/QR/CSL-C-MH



Fanatec.com/app



Fanatec.com/support/faq

EN

The product warranty is provided by Endor AG. Refer to the included warranty sheet as well as the terms & conditions of Endor AG on fanatec.com.

FR

Ce produit est sous la garantie d'Endor AG. Reportez-vous aux fiches de garantie incluses ainsi qu'aux conditions générales d'Endor AG sur fanatec.com.

DE

Dieses Produkt unterliegt der Garantie der Endor AG. Beachten Sie die beiliegenden Garantieblätter sowie die Allgemeinen Geschäftsbedingungen der Endor AG auf fanatec.com.

ES

Este producto está bajo garantía de Endor AG. Consulte las hojas de garantía incluidas, así como los términos y condiciones de Endor AG en fanatec.com.

IT

Questo prodotto è coperto dalla garanzia di Endor AG. Fare riferimento ai fogli di garanzia inclusi nonché ai termini e condizioni di Endor AG su fanatec.com.

PT

Este produto está sob garantia da Endor AG. Consulte as folhas de garantia incluídas, bem como os termos e condições da Endor AG em fanatec.com.



箱

箱

Importers:

Imported and distributed by Endor America LLC
8200 Wilshire Blvd, Suite 200 - Beverly Hills CA 90211 - USA
Telephone: +1 321-655-3524
Email: webshop@fanatec.com
Website: www.fanatec.com - www.endor.ag

Endor Japan Kabushikigaisya
E5001 3-13-1, Harumi Cyuo-ku Tokyo-to
Tokyo 104-0053 - Japan
Telephone: 03-6717-2719
Email: webshop@fanatec.com
Website: www.fanatec.com - www.endor.ag

Endor Australia Pty Ltd
3 Staley Street, California Gully, Vic, 3556 - Australia
Telephone: 661 453 979 40
Email: webshop@fanatec.com
Website: www.fanatec.com - www.endor.ag

Manufactured and distributed by

ENDOR[®]

Fanatec[®] is a registered trademark of Endor AG
Designed and developed by Endor AG in Germany

E.ON-Allee 3 - 84036 Landshut - Germany
EU: 00800 0 FANATEC or +49 (871) 9221 -122
US/CANADA: 011 800 0 FANATEC or +49 (871) 9221-122
AUSTRALIA: 00800 0 FANATEC or +49 (871) 9221-122
JAPAN: +81 306 7172 -719
Email: info.webshop@fanatec.com
Website: www.fanatec.com - www.endor.ag
Made in China