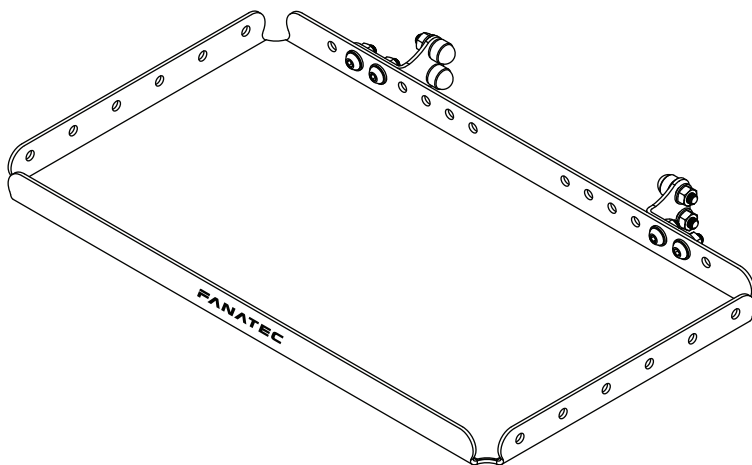


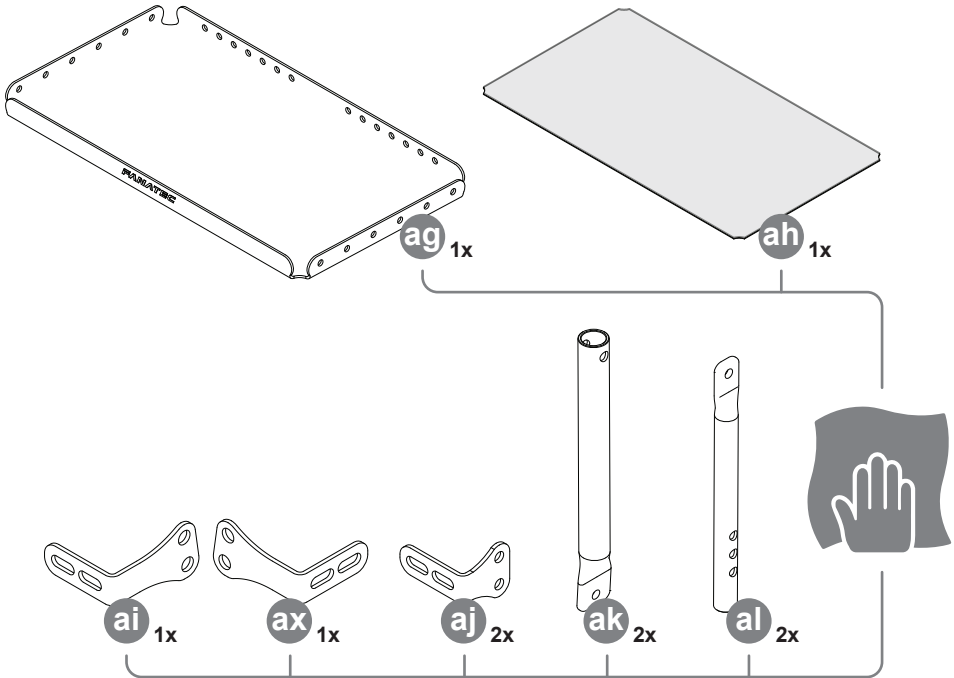
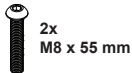
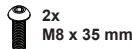
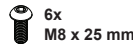
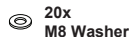
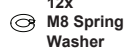
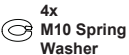
# **FANATEC®**

## **CSL** **COCKPIT SHELF**



**A****PACKAGE CONTENT**

FR Contenu de l'emballage; DE Lieferumfang; ES Contenido del embalaje; IT Contenuto della confezione; PT Conteúdo da embalagem

**B16**2x  
M8 x 55 mm**B17**2x  
M8 x 35 mm**B18**6x  
M8 x 25 mm**B20**4x  
M8 x 20 mm**B19**4x  
M10 x 25 mm**W1**8x  
M10 Washer**W2**20x  
M8 Washer**W6**12x  
M8 Spring  
Washer**W7**4x  
M10 Spring  
Washer**N1**4x  
M10 Nut**N2**14x  
M8 Nut**P6**8x  
13 mm Cap**P11**4x  
16 mm Cap



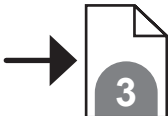
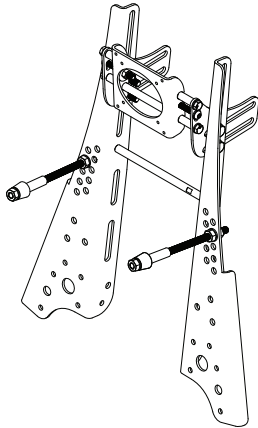
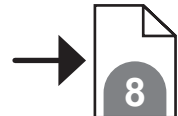
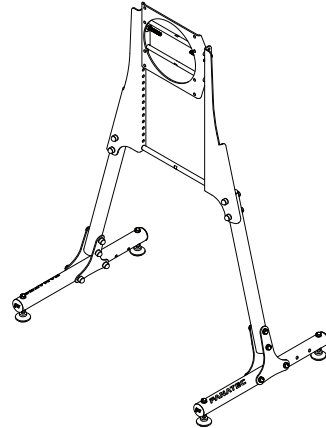
FR Pour commencer; DE Erste Schritte; ES Cómo comenzar; IT Come iniziare; PT Começando

**CSL** COCKPIT

1x T3



2x T1

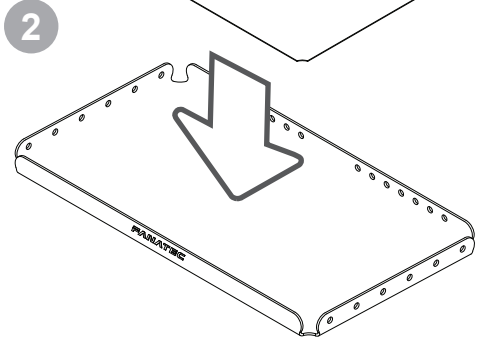
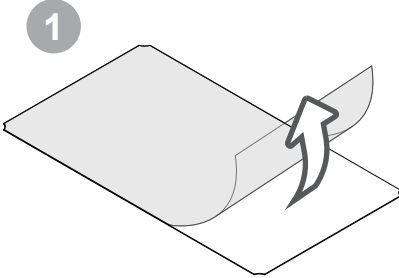
**CSL**  
COCKPIT MONITOR HOLDER**CSL**  
COCKPIT MONITOR STAND[Fanatec.com/manuals](http://Fanatec.com/manuals)



FR Assemblage; DE Zusammenbau; ES Montaje; IT Montaggio; PT Montagem

1 1x ag

1x ah



2 1x ai

1x ax

4x B18

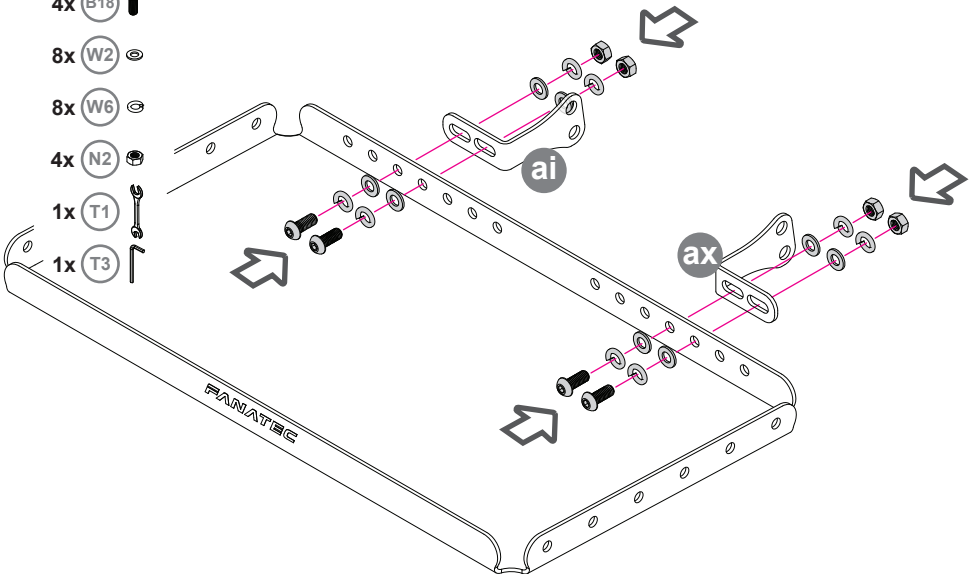
8x W2

8x W6

4x N2

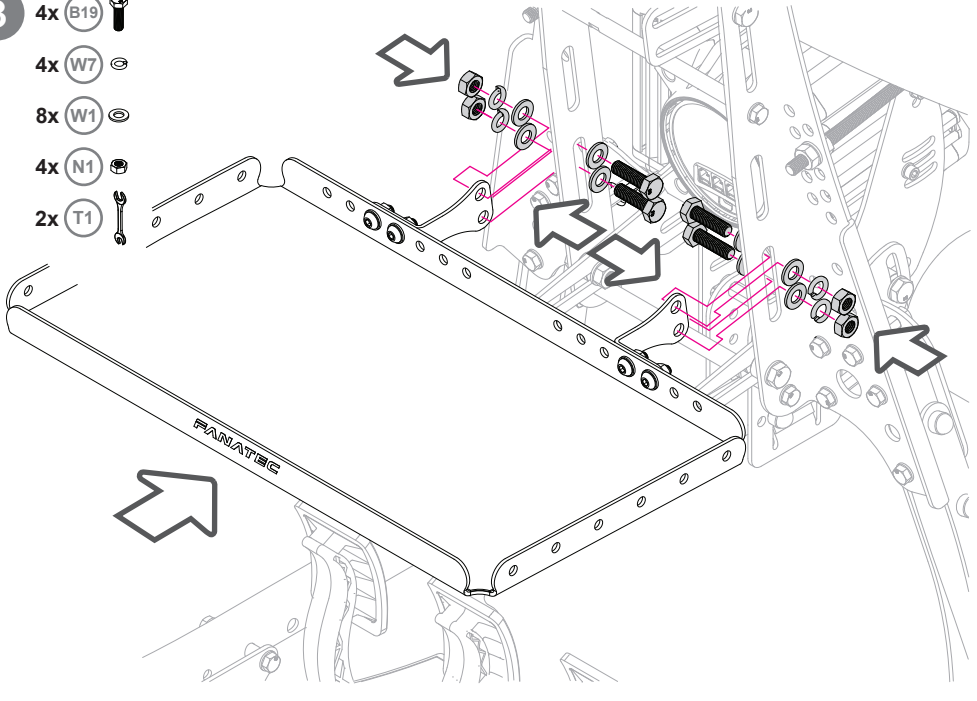
1x T1

1x T3



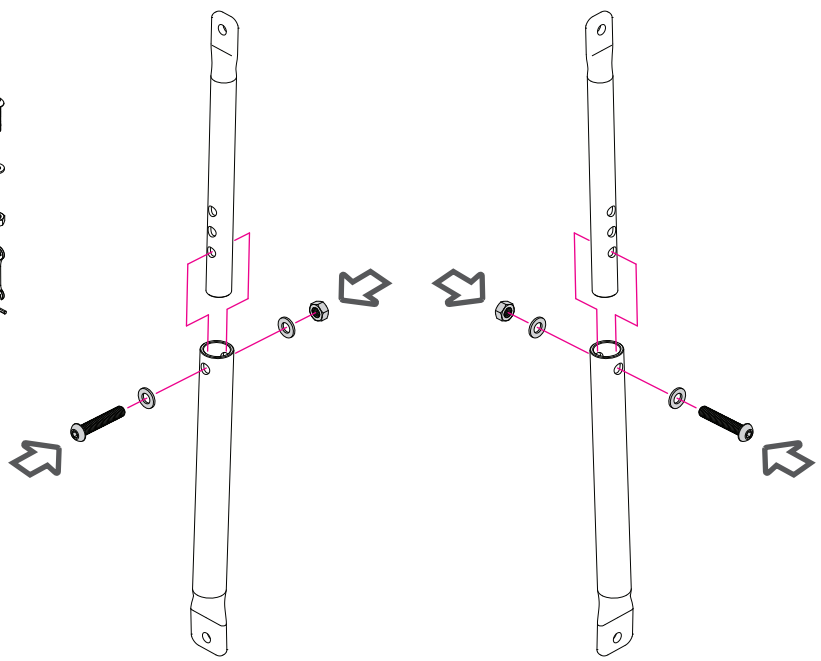
3

- 4x (B19) 
- 4x (W7) 
- 8x (W1) 
- 4x (N1) 
- 2x (T1) 



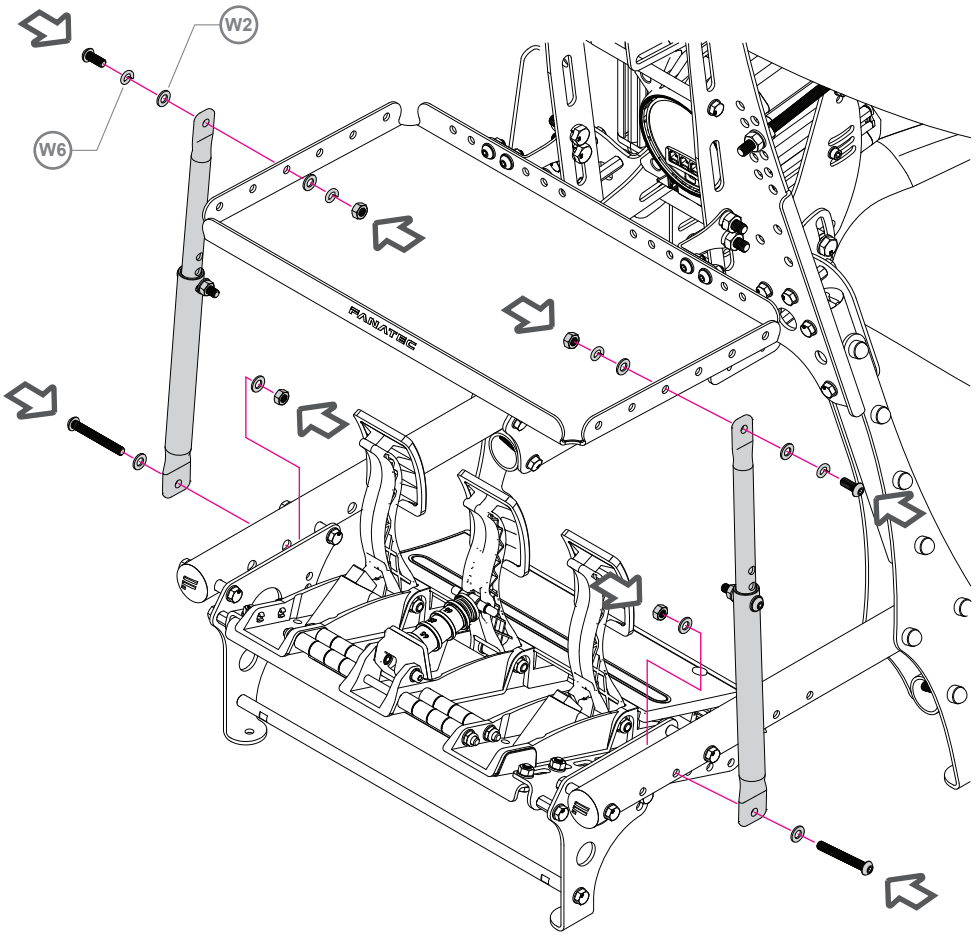
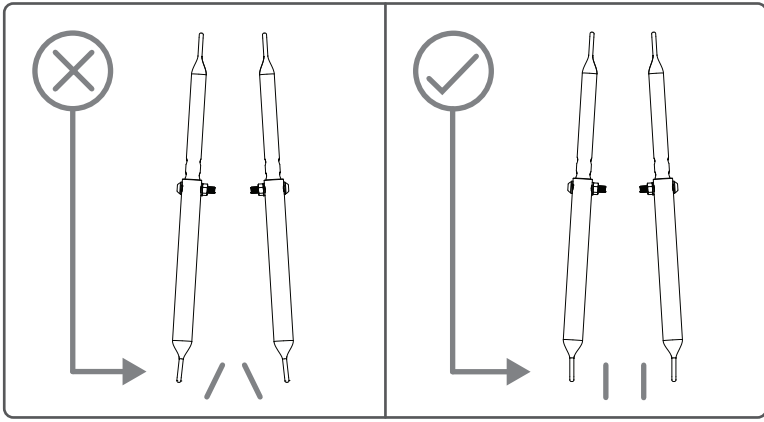
4

- 2x (ak) 
- 2x (al) 
- 2x (B17) 
- 4x (W2) 
- 2x (N2) 
- 1x (T1) 
- 1x (T3) 



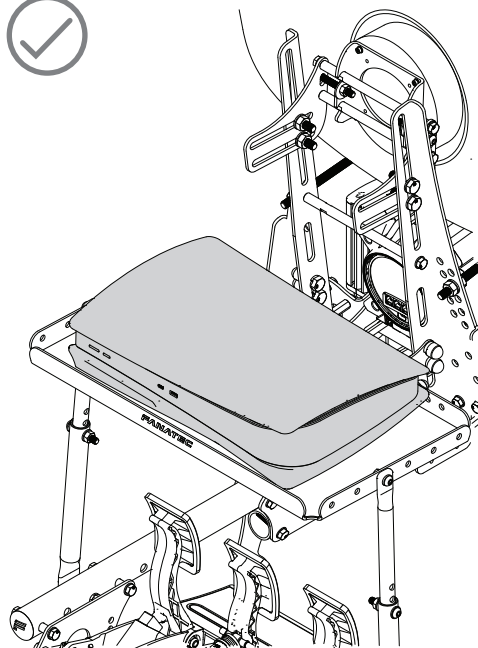
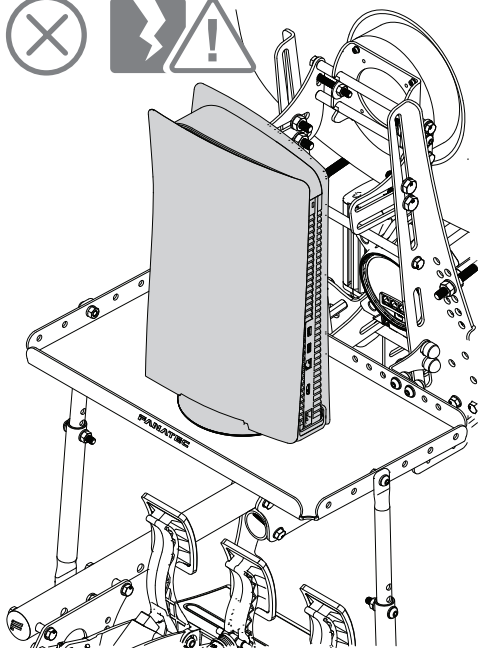
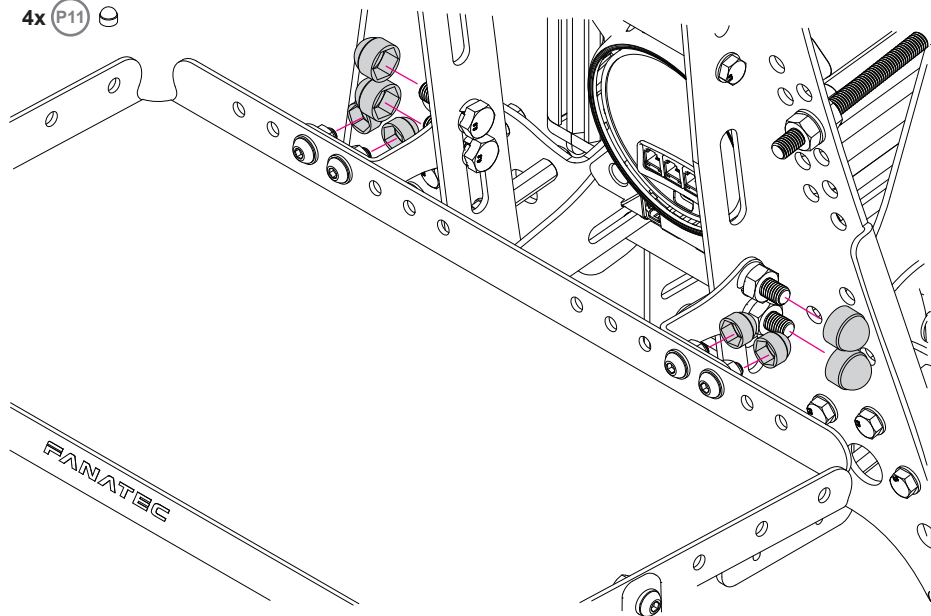
5

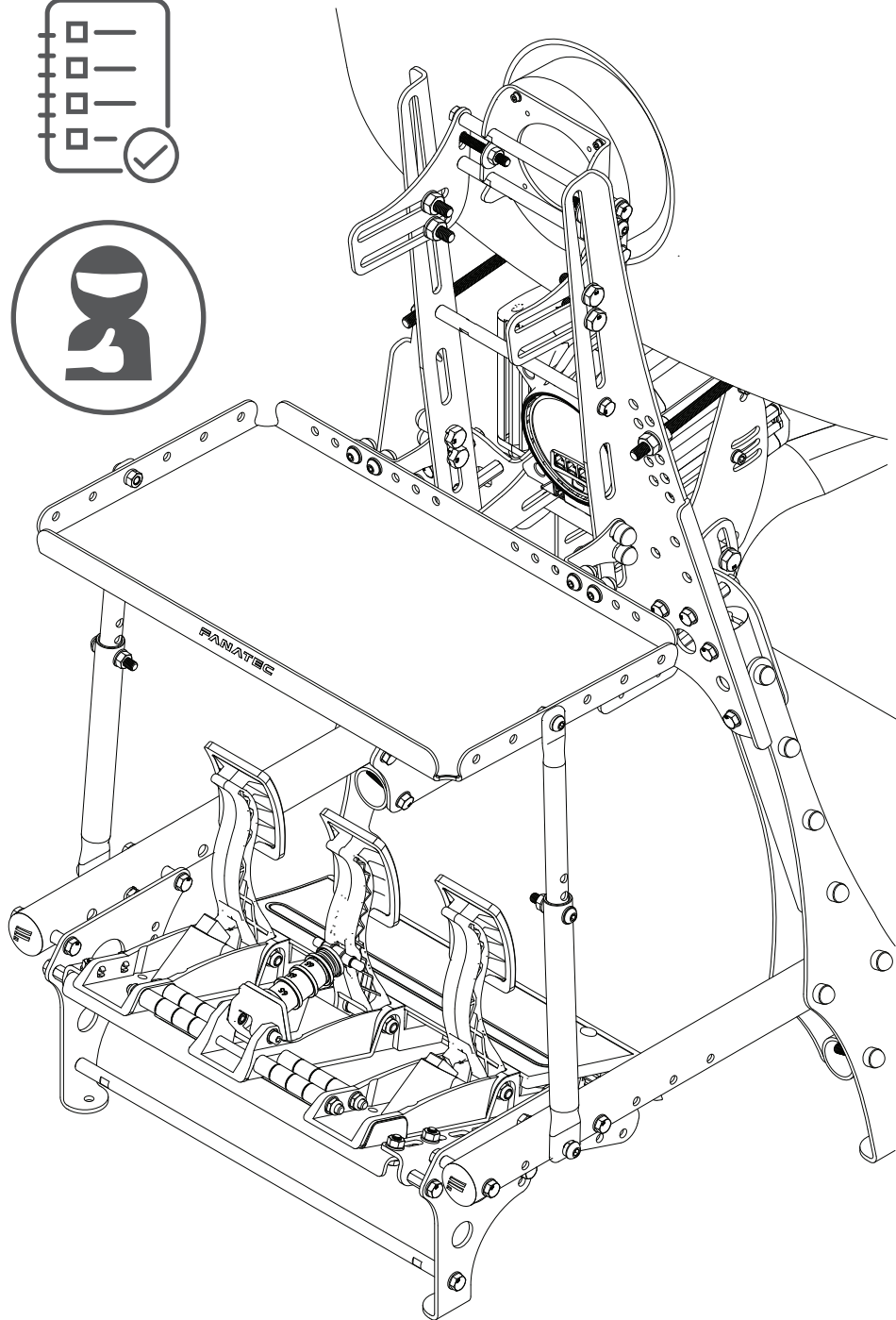
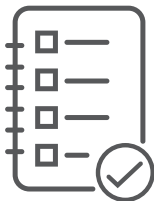
- 2x (B18) 
- 2x (B16) 
- 8x (W2) 
- 4x (W6) 
- 4x (N2) 
- 1x (T1) 
- 1x (T3) 



6 4x P6 ⊖

4x P11 ⊖





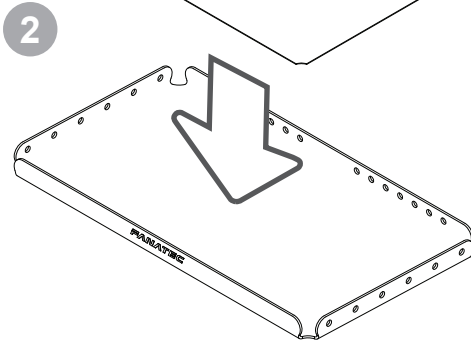
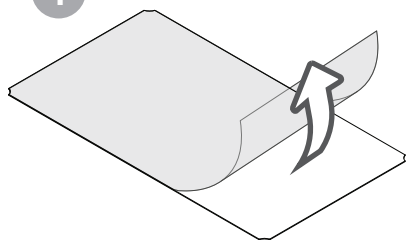


**D****ASSEMBLY - CSL COCKPIT MONITOR STAND**

FR Assemblage; DE Zusammenbau; ES Montaje; IT Montaggio; PT Montagem

**1** 1x ag

1x ah

**2** 2x aj

4x B18

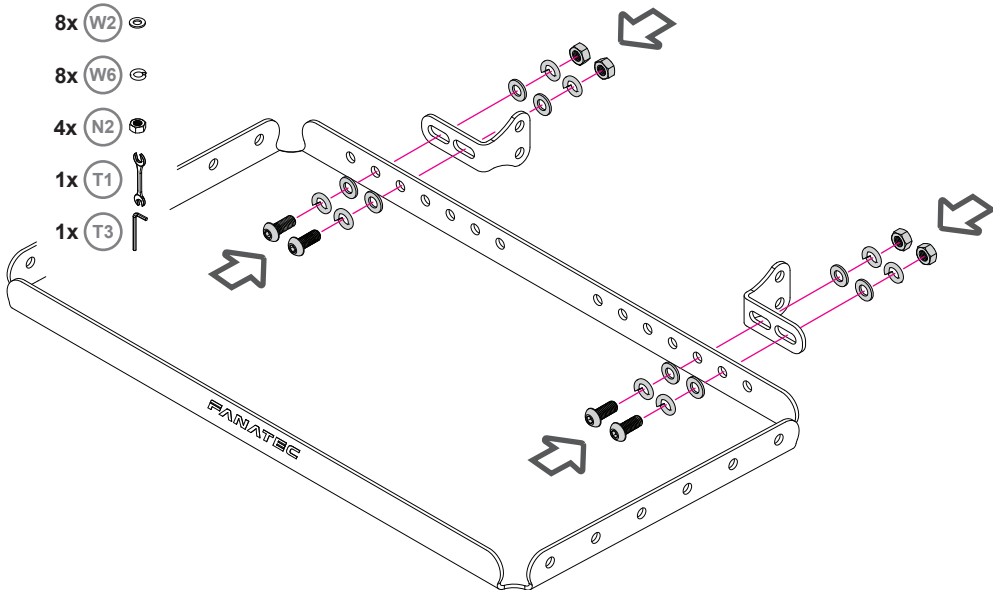
8x W2

8x W6

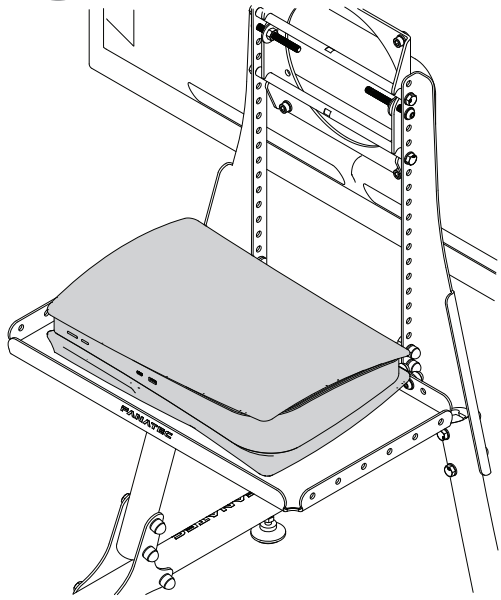
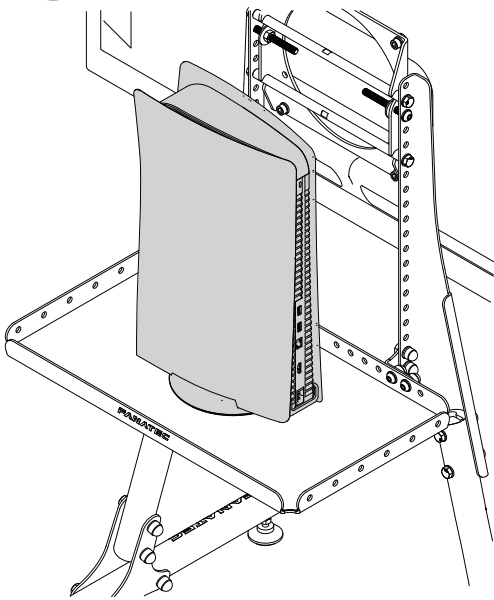
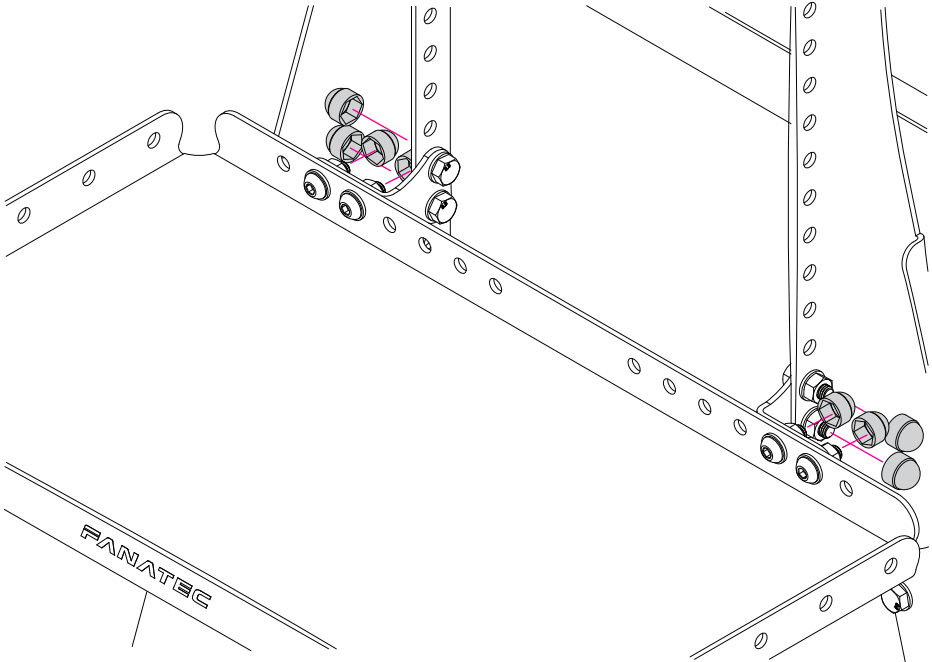
4x N2

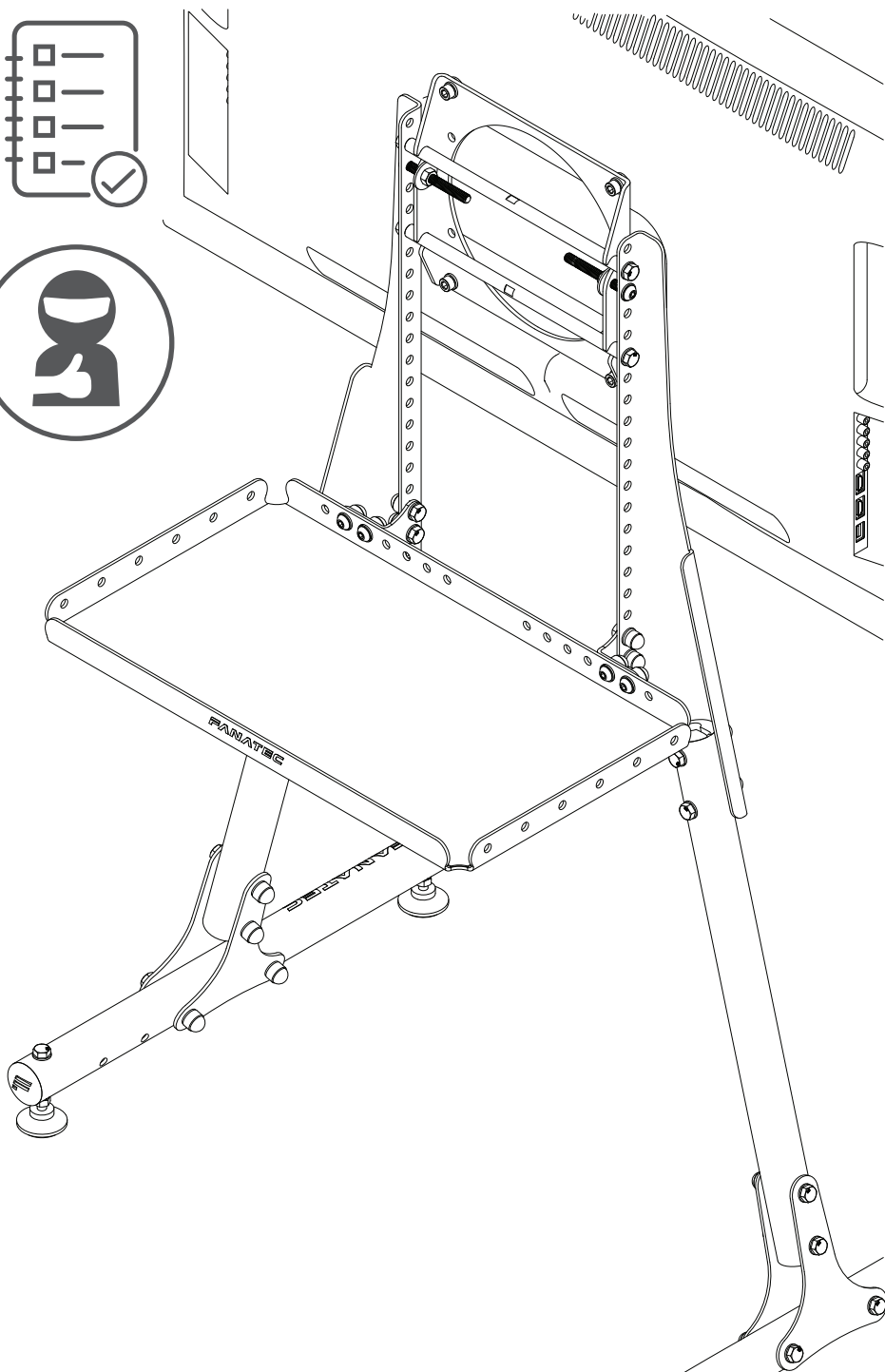
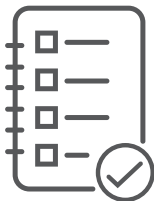
1x T1

1x T3











FR Support technique; DE Unterstützung; ES Soporte técnico; IT Supporto tecnico; PT Suporte técnico



VIDEO  
MANUAL



Fanatec.com/QR/CSL-C-SHELF



Fanatec.com/app



Fanatec.com/support/faq

EN

The product warranty is provided by Corsair GmbH. Refer to the terms & conditions of Corsair GmbH on fanatec.com.

FR

La garantie du produit est fournie par Corsair GmbH. Veuillez consulter les conditions générales de Corsair GmbH sur fanatec.com.

DE

Die Produktgarantie wird von der Corsair GmbH gewährt. Bitte beachten Sie die Allgemeinen Geschäftsbedingungen der Corsair GmbH auf fanatec.com.

ES

La garantía del producto la proporciona Corsair GmbH. Consulte los términos y condiciones de Corsair GmbH en fanatec.com.

IT

La garanzia del prodotto è fornita da Corsair GmbH. Consultare i termini e le condizioni di Corsair GmbH su fanatec.com.

PT

A garantia do produto é fornecida pela Corsair GmbH. Consulte os termos e condições da Corsair GmbH em fanatec.com.

**FANATEC®**

Fanatec® is a registered trademark of Corsair GmbH  
E.ON-Allee 5 - 84036 Landshut - Germany  
Telephone: 00800 0 FANATEC or +49 (871) 9221-122  
US/CAN Telephone: 011 800 0 FANATEC or +49 (871) 9221-122  
Australia Telephone: 00800 0 FANATEC or +49 (871) 9221-122  
Japan Telephone: 03-6717-2719 or +49 (871) 9221-122  
Email: info.webshop@fanatec.com  
Internet: www.fanatec.com - www.corsair.com



CORSAIR MEMORY, BV.  
Wormerweg 8, 1311 XB, Almere, Netherlands

CORSAIR COMPONENTS, Ltd.  
1020 Eskdale Road, Winnersh Triangle,  
Wokingham, RG41 5TS, UK

CORSAIR MEMORY, Inc.  
115 North McCarthy Blvd, Milpitas, CA 95035, USA

Designed in Germany  
Made in China