

PODIUM WHEEL BASE DD2



Quick Guide

EN

Manufactured by
ENDOR®
Fanatec® is a registered trademark of Endor AG
Designed and developed by Endor AG in Germany
Seligenthaler Straße 16 a - 84034 Landshut - Germany
Telephone: +49 (871) 9221-122 Fax: +49 (871) 9221-221
Email: info.webshop@fanatec.com
Website: www.fanatec.com - www.endor.ag
12/2018



MANUAL

This QuickGuide is only meant to outline basic functionality. Please visit www.fanatec.com/support in order to learn more about all of the features of this product. This is just a QuickGuide and you will miss a lot of features if you don't read the user manual.

This product is under warranty of Endor AG, Seligenthaler Straße 16a, 84034 Landshut, Germany, Telephone: +49 (871) 9221-122, Fax: +49 (871) 9221-221, Email: info.webshop@fanatec.com. Refer to the chapter 'warranty' of the user manual as well as the terms & conditions of Endor AG on <https://www.fanatec.com>.

Please note that for this product warranty extensions are available for up to three or five years (optional).

ATTENTION

- ⚠ If you have an existing Fanatec Pedal set, please replace the old RJ12 cable with the new one included (H).
- When connecting the power supply (B), please connect it to the DD2 Wheel Base (A) BEFORE connecting it to the power outlet/socket (C).

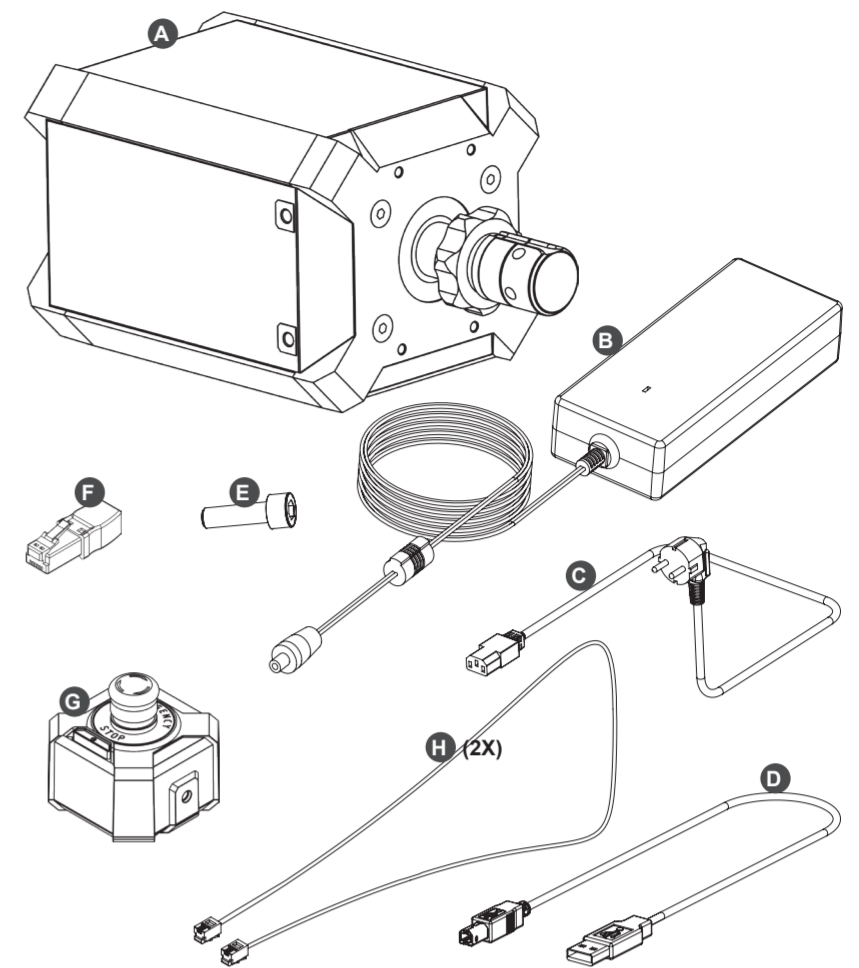
When starting up the Podium Wheel Base for the first time, please update the firmware. You can obtain it from www.fanatec.com/downloads. Follow the instructions provided by user manual.

Do not cover the air intake on the front side with accessories, and do not place any items in a 10cm range behind the wheel base to allow proper cooling airflow.



| PAGE 1 |

CONTENTS



- Podium Wheel Base DD2 (A)
- Power supply unit (B)
- Power cord (regional) (C)
- USB connection cable (D)
- Cylinder head screw ISO 4762 M6x20 (only for simplified QuickRelease) (E)
- Torque Key (F)
- Podium Kill Switch (G)
- Podium Kill Switch RJ12 connection cable (H)
- RJ12 connection cable for Pedals (H)

| PAGE 2 |

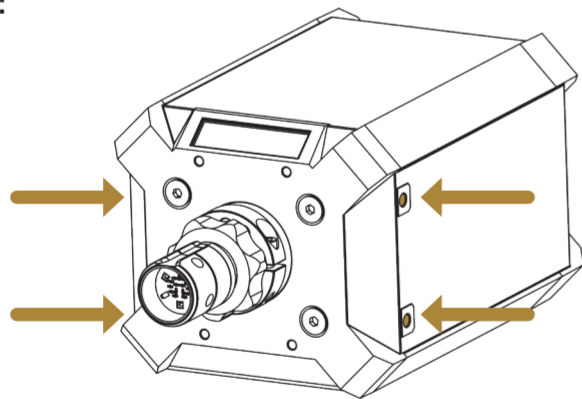
MOUNTING THE PODIUM WHEEL BASE

Download drilling templates from www.fanatec.com/downloads.



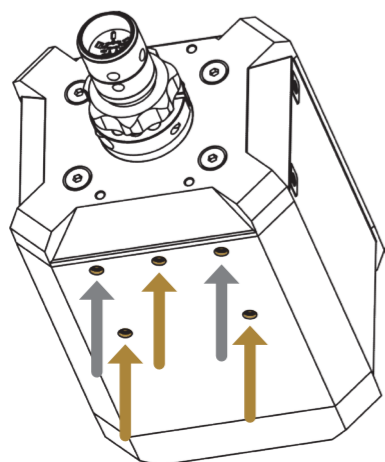
SIDE MOUNTING

On both sides of the wheel base there are two M8-threaded holes:



BOTTOM MOUNTING

On the bottom side of the wheel base there are five M6-threaded hole patterns for Fanatec triangular mounting and square mounting (78,4mm x 66mm): Using the front center hole with the two rear holes (Fanatec Triangular mounting - marked with gold arrows) is sufficient for use.

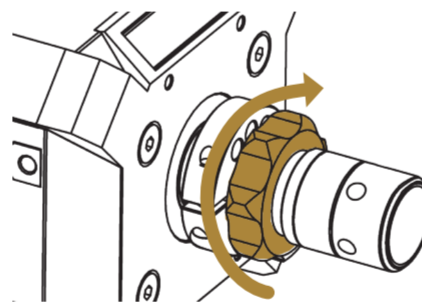


| PAGE 3 |

ATTACHING THE STEERING WHEEL

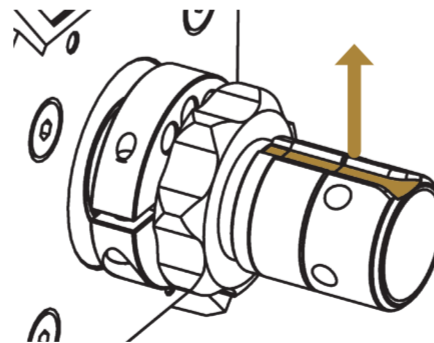
1

Turn the locking ring in a CW direction to the back of the shaft. Make sure the rubber ring is not compressed.



2

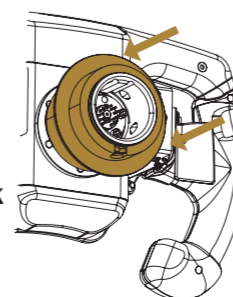
Rotate the shaft so the groove points to the top.



3a

Fanatec ClubSport Quick Release: Pull and hold the QuickRelease sleeve and carefully push the steering wheel onto the shaft. Release the sleeve.

When using the Fanatec ClubSport Quick Release on a Podium DD, no screw is required.

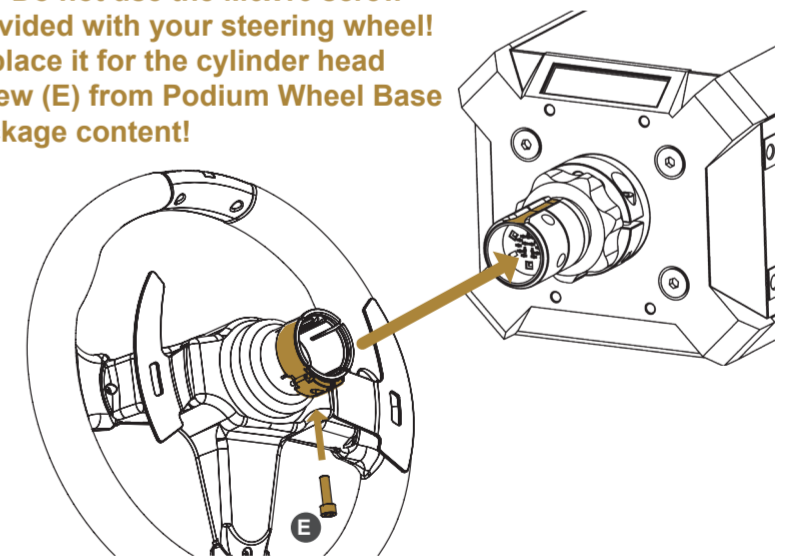


| PAGE 4 |

3b

Simplified Quick Release: carefully push the steering wheel onto the shaft. Use the M6x20 screw from the Podium Wheel Base accessories for tightening the clamping ring.

⚠ Do not use the M6x16 screw provided with your steering wheel! Replace it for the cylinder head screw (E) from Podium Wheel Base package content!

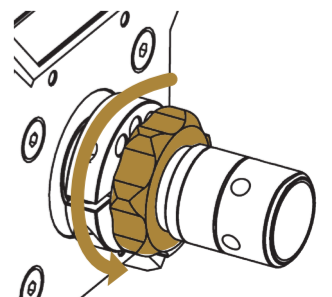


NOTE: When a simplified Quick Release is used, the wheel base automatically limits the torque to prevent damage. ClubSport Quick Releases are required to utilize full torque.

4

Turn the locking ring in a CCW direction for a tight fit.

Proceed in reverse order to remove the wheel from the base.



| PAGE 5 |

