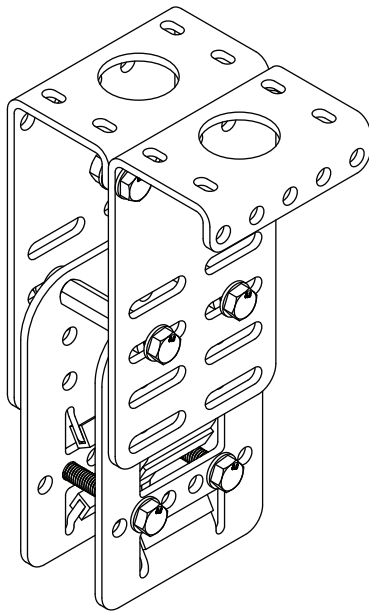


FANATEC®

CSL

COCKPIT SHIFTER HOLDER

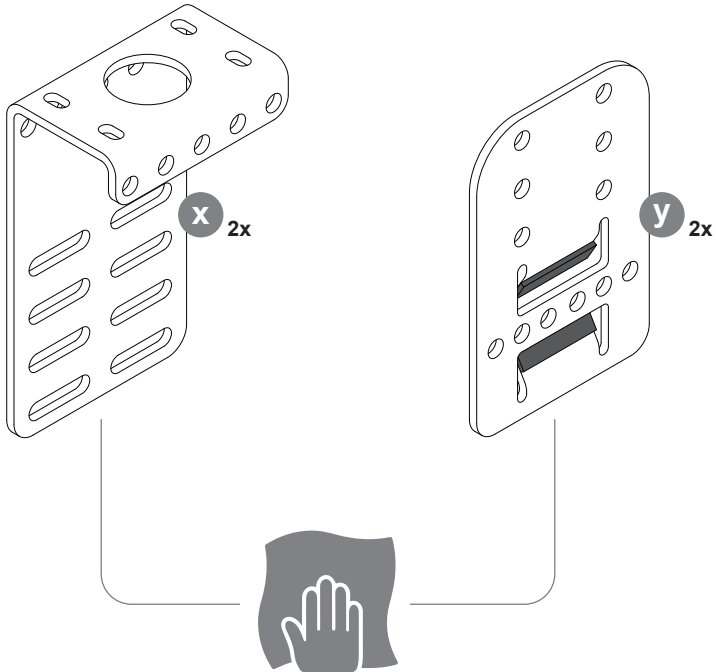


Manual



A**PACKAGE CONTENT**

FR Contenu de l'emballage; DE Lieferumfang; ES Contenido del embalaje; IT Contenuto della confezione; PT Conteúdo da embalagem

**B2**

2x
M8 x 60 mm

B3

6x
M8 x 20 mm

B6

4x
M6 x 16 mm

W2

12x
M8 Washer

W6

4x
M8 4 mm Washer

W3

4x
M6 Washer

N2

4x
M8 Nut

P6

4x
13 mm Caps

P4

2x
M8 Hex Nut

B**SHIFTER HOLDER ASSEMBLY**

FR Assemblage; DE Zusammenbau; ES Montaje; IT Montaggio; PT Montagem

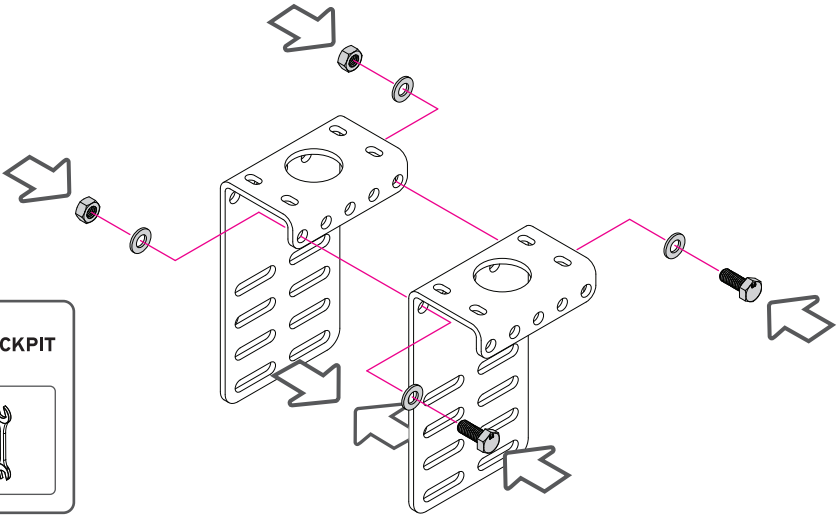
1

2x X

2x B3

4x W2

2x N2

**CSL** COCKPIT

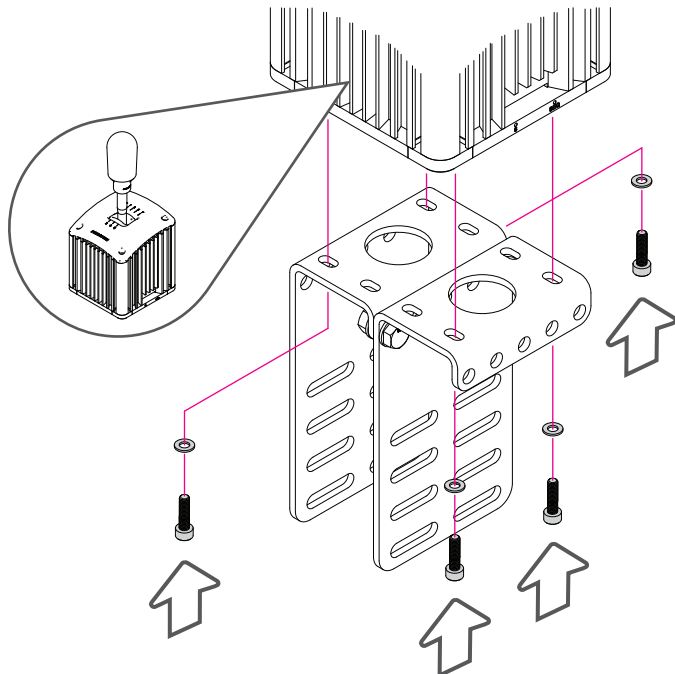
2x T1

**2**

4x B6

4x W3

1x *

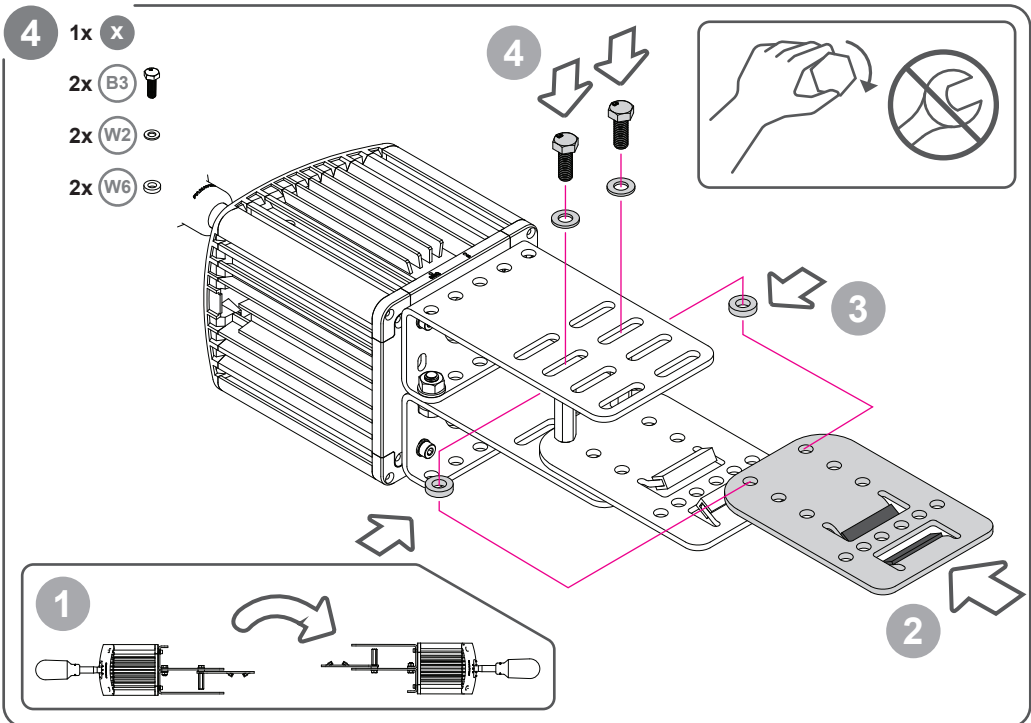
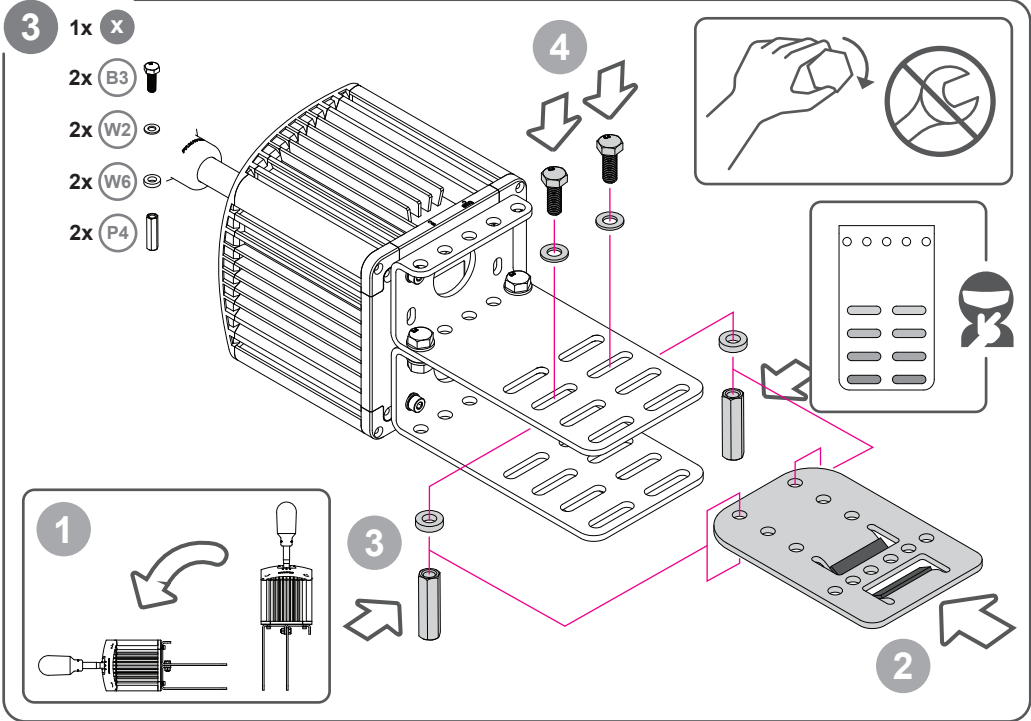


* EN Sold separately
 FR Vendu séparément
 DE Separat erhältlich
 ES Se vende por separado
 IT Venduto separatamente
 PT Vendido separadamente

CSL COCKPIT

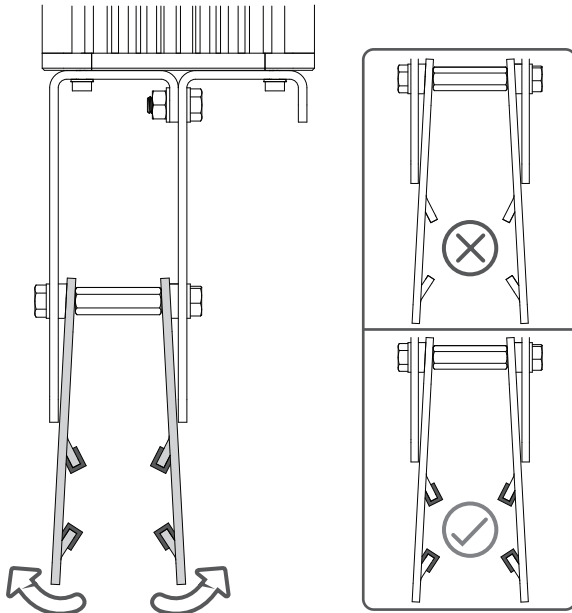
1x T3





5

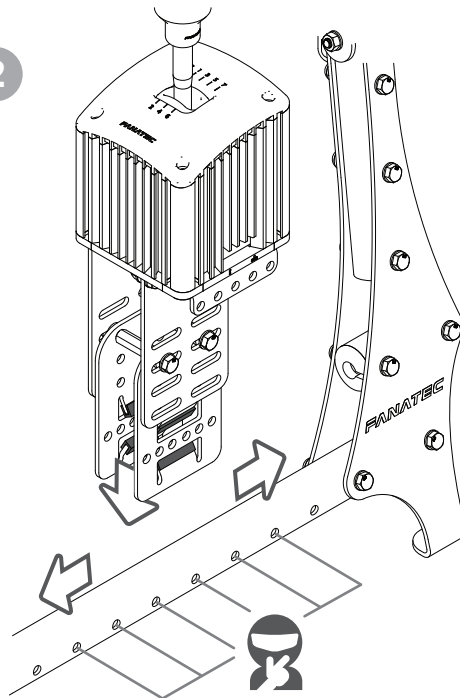
1



2x



2



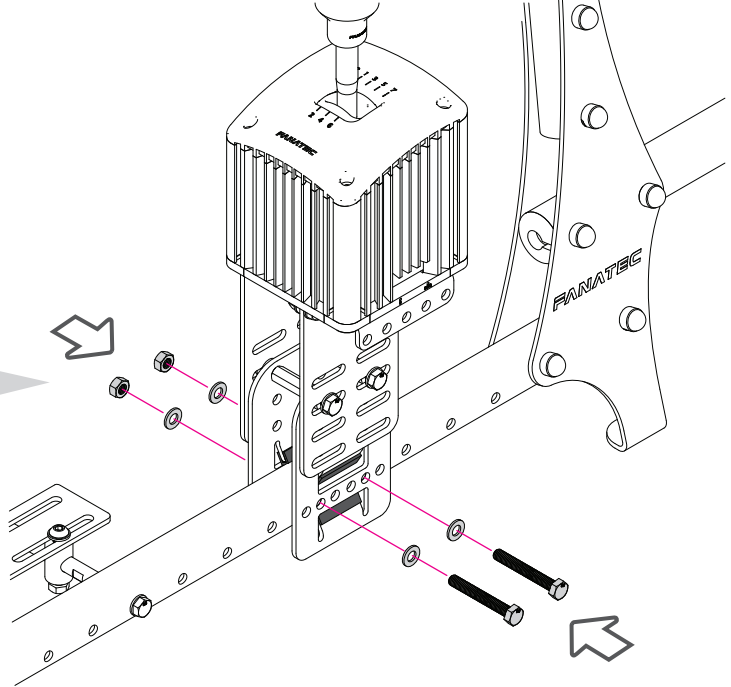
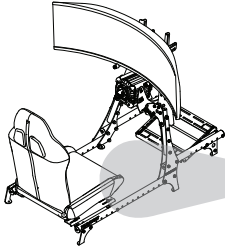
6

2x (B2)

4x (W2)

2x (N2)

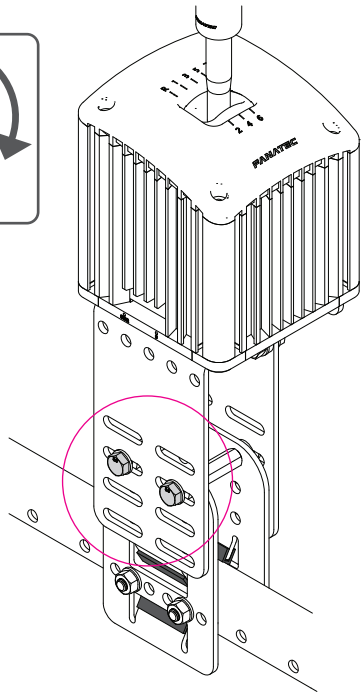
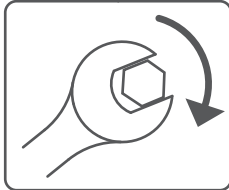
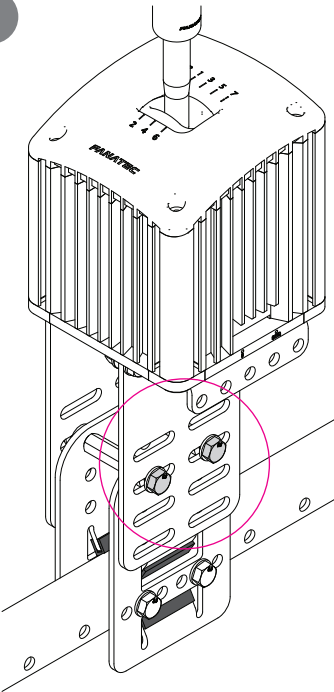
2x (T1)



2x



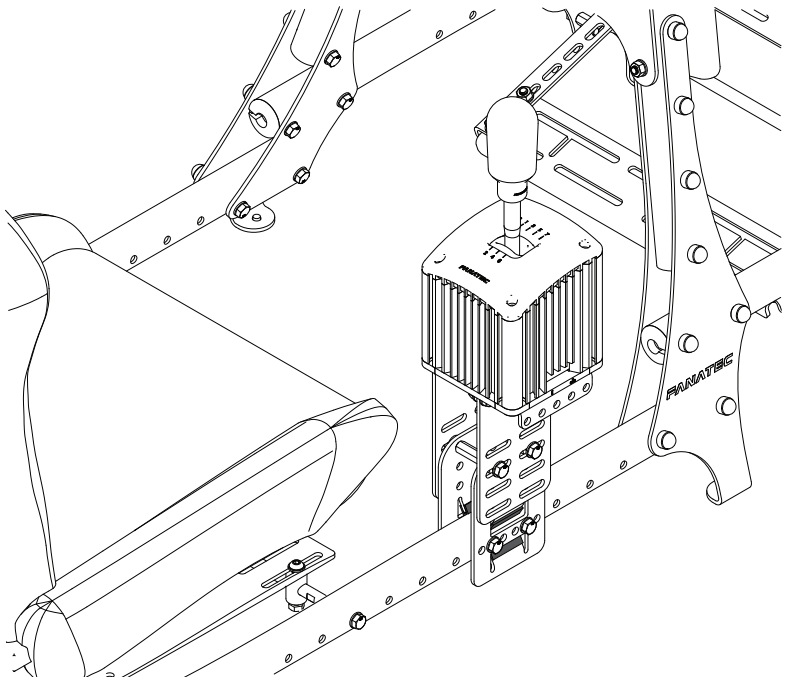
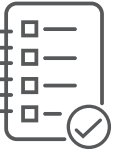
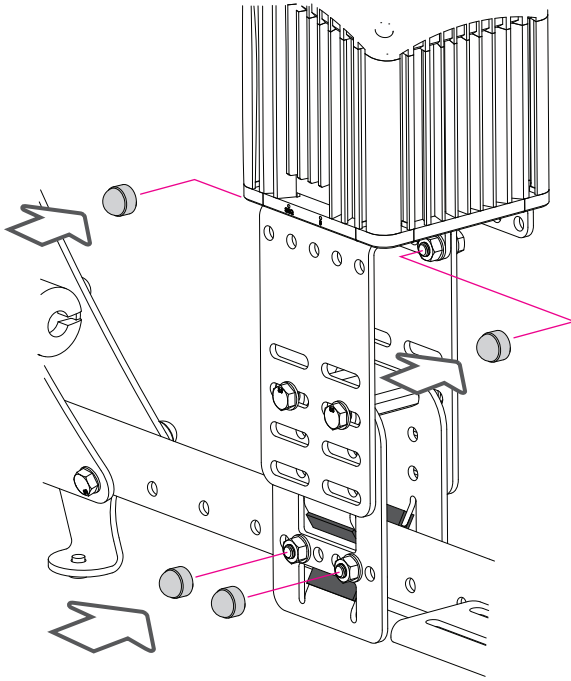
7



8

4x

P6





FR Support technique; DE Unterstützung; ES Soporte técnico; IT Supporto tecnico; PT Suporte técnico



VIDEO
MANUAL



Fanatec.com/QR/CSL-C-SH



Fanatec.com/app



Fanatec.com/support/faq

EN

The product warranty is provided by Endor AG. Refer to the included warranty sheet as well as the terms & conditions of Endor AG on fanatec.com.

FR

Ce produit est sous la garantie d'Endor AG. Reportez-vous aux fiches de garantie incluses ainsi qu'aux conditions générales d'Endor AG sur fanatec.com.

DE

Dieses Produkt unterliegt der Garantie der Endor AG. Beachten Sie die beiliegenden Garantieblätter sowie die Allgemeinen Geschäftsbedingungen der Endor AG auf fanatec.com.

ES

Este producto está bajo garantía de Endor AG. Consulte las hojas de garantía incluidas, así como los términos y condiciones de Endor AG en fanatec.com.

IT

Questo prodotto è coperto dalla garanzia di Endor AG. Fare riferimento ai fogli di garanzia inclusi nonché ai termini e condizioni di Endor AG su fanatec.com.

PT

Este produto está sob garantia da Endor AG. Consulte as folhas de garantia incluídas, bem como os termos e condições da Endor AG em fanatec.com.



箱

箱

Importers:

Imported and distributed by Endor America LLC
8200 Wilshire Blvd, Suite 200 - Beverly Hills CA 90211 - USA
Telephone: +1 321-655-3524
Email: webshop@fanatec.com
Website: www.fanatec.com - www.endor.ag

Endor Japan Kabushikigaisya
E5001 3-13-1, Harumi Cyuo-ku Tokyo-to
Tokyo 104-0053 - Japan
Telephone: 03-6717-2719
Email: webshop@fanatec.com
Website: www.fanatec.com - www.endor.ag

Endor Australia Pty Ltd
3 Staley Street, California Gully, Vic, 3556 - Australia
Telephone: 661 453 979 40
Email: webshop@fanatec.com
Website: www.fanatec.com - www.endor.ag

Manufactured and distributed by

ENDOR[®]

Fanatec[®] is a registered trademark of Endor AG
Designed and developed by Endor AG in Germany

E.ON-Allee 3 - 84036 Landshut - Germany
EU: 00800 0 FANATEC or +49 (871) 9221 -122
US/CANADA: 011 800 0 FANATEC or +49 (871) 9221 -122
AUSTRALIA: 00800 0 FANATEC or +49 (871) 9221 -122
JAPAN: +81 306 7172 -719
Email: info.webshop@fanatec.com
Website: www.fanatec.com - www.endor.ag
Made in China