

# FANATEC®

## ClubSport BMW M3 GT2 V2



**EN** Quick Guide  
**FR** Guide De Démarrage Rapide  
**DE** Kurzanleitung  
**ES** Guía Rápida  
**IT** Guida Rapida  
**PT** Guia Rápido



Rev. 03

Video Manual

VIDEO MANUAL  
Fanatec.com/QR/CS-BMW-V2

Driver Download

Fanatec.com/driver

Driver & Firmware Instruction Manual

Fanatec.com/df-manual-V1

Windows PC

Installing...

PC Mode

Update Firmware

→ EN Translations - Page 6; DE Übersetzungen - Seite 6; FR Traductions - Page 6; ES Traducciones - Página 6; IT Traduzioni - Pagina 6; PT Traduções - Página 6

### A PACKAGE CONTENT

- a** 1x ClubSport BMW M3 GT2 V2
- b** 1x ClubSport Magnetic Paddle Module
- c** 2x 1x 2 mm
- d** 4x 4x 4 mm

### B QUICK RELEASE ATTACHMENT

1. Remove the cap from the quick release attachment.
2. Insert the 4x 4 mm screws and washers into the attachment.
3. Attach the attachment to the steering wheel hub, ensuring it is seated correctly.

**1 Nm**

4 mm

### C CENTRE CALIBRATION

1. Press the CLR button on the steering wheel.
2. Enter the Tuning Menu.
3. Rotate the steering wheel to the center position.
4. Confirm the center position.
5. Exit the Tuning Menu.

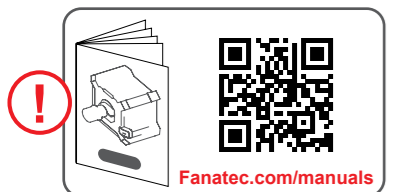
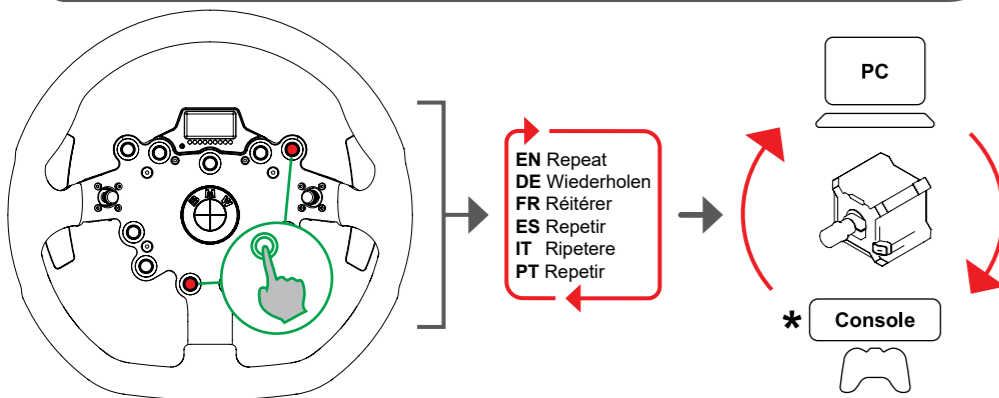
### D SHIFTER CALIBRATION

1. Press the CLR button on the steering wheel.
2. Enter the Tuning Menu and select the gear calibration option.
3. Select the gear to be calibrated (e.g., 6-r).
4. Shift the gear to the selected position.
5. Confirm the gear position.

Perform for all gears:

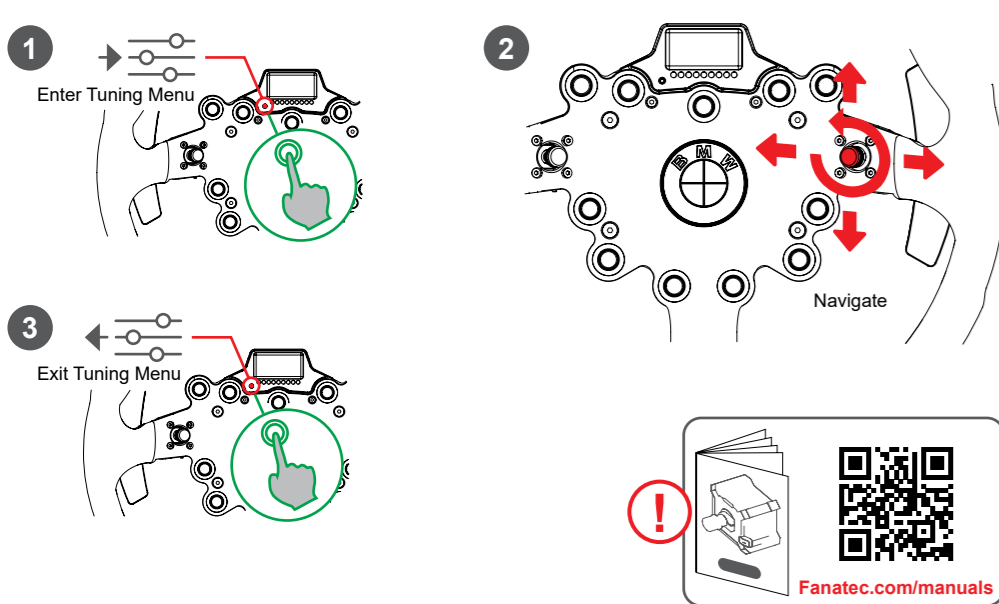
\* EN Sold separately; DE Separat erhältlich; FR Vendu séparément; ES Se vende por separado; IT Venduto separatamente; PT Vendido separadamente

## E MODES

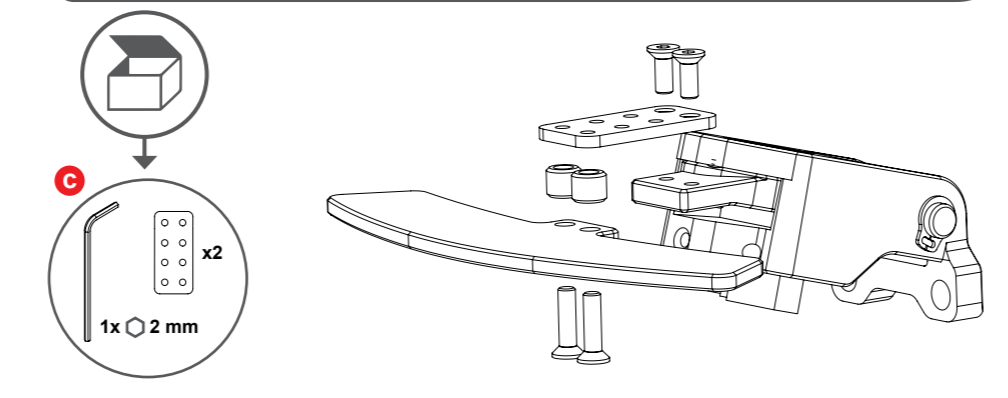


\* EN Wheel Base Dependent  
 DE Je Nach Wheel Base  
 FR Dépendant de la base du volant  
 ES Dependiente de la Base del Volante  
 IT Dipendente dalla base del volante  
 PT Dependente da base do volante

## F TUNING OPTIONS

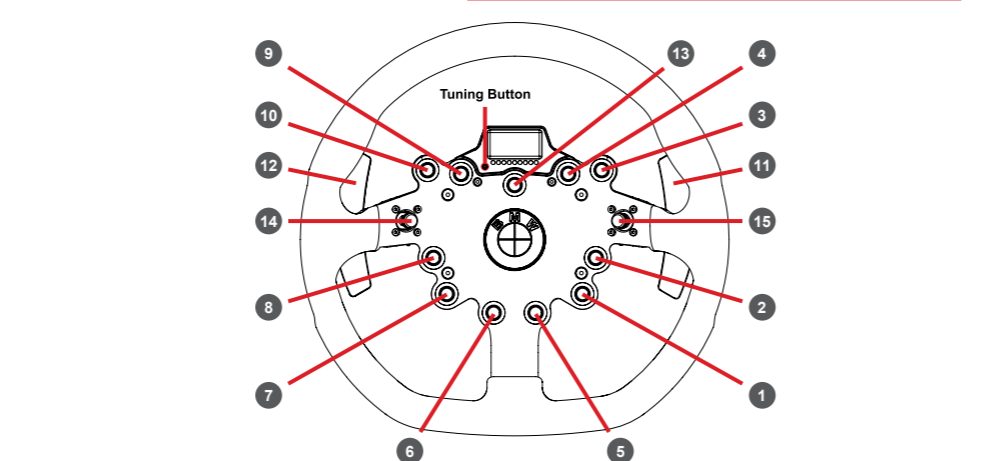


## G CLUBSPORT MAGNETIC PADDLE MODULE ADJUSTMENT



## H BUTTON MAPPING

#	PC	PlayStation®	#	PC	PlayStation®
1	2	X	9	7	R2
2	3	O	10	8	L2
3	4	△	11	5	R1
4	1	□	12	6	L1
5	10	≡	13	22	PS
6	9	↖	14	26	X
7	11	R3	15	FunkySwitch™	↕ - 23 / ↕ - 24
8	12	L3			↕ - *GSB 1 / ↕ - *GSB 2



## I SUPPORT

[Fanatec.com/app](https://fanatec.com/app) (APP icon)  
[Fanatec.com/support/faq](https://fanatec.com/support/faq) (Headset icon)  
[Fanatec.com/QR/CS-BMW-V2](https://fanatec.com/QR/CS-BMW-V2) (VIDEO MANUAL icon)  
 QR codes for app and manual.

## A B C D E F G H

- A** DE Lieferumfang; FR Contenu de l'emballage; ES Contenidos del embalaje; IT Contenuto della confezione; PT Conteúdo da embalagem
- B** DE Montage; FR Montage; ES Montaje; IT Montaggio; PT Montagem
- C** DE Kalibrierung der mittelstellung; FR Calibrage du centre; ES Centrado del volante; IT Calibrazione del centro; PT Calibração do centro
  - 2** DE Aufrufen; FR Entrer; ES Entrar; IT Entrare; PT Entrar
  - 5** DE Verlassen; FR Sortie; ES Salida; IT Uscire; PT Sair
- D** DE Kalibrierung des schalthebel; FR Étalonnage du levier de vitesses; ES Calibración del variador; IT Calibrazione del cambio; PT Calibragem de mudanças
  - 5** DE Für alle Gänge durchführen; FR Performer pour tous les rapports; ES Ejecutar para todas las marchas; IT Eseguì per tutte le marce; PT Executar para todas as engrenagens
- E** DE Modi; FR Modes; ES Modos; IT Modalità; PT Modos
- F** DE Einstellungsoptionen; FR Options de réglage; ES Opciones de ajuste; IT Opzioni di sintonizzazione; PT Opções de afinação
  - 1** DE Aufrufen; FR Entrer; ES Entrar; IT Entrare; PT Entrar
  - 2** DE Navigieren; FR Naviguer; ES Navegar Por; IT Navigare; PT Navegar
  - 3** DE Verlassen; FR Sortie; ES Salida; IT Uscire; PT Sair
- G** DE Einstellung; FR Paramètres; ES Configuraciones; IT Adattamento; PT Configurações
- H** DE Tastenbelegung; FR Mappage des boutons; ES Asignación de botones; IT Mappatura dei pulsanti; PT Mapeamento de botões

## I DE Unterstützung; FR Support technique; ES Soporte técnico; IT Supporto tecnico; PT Suporte técnico

- EN** The product warranty is provided by Endor AG. Refer to the included warranty sheet as well as the terms & conditions of Endor AG on [fanatec.com](https://fanatec.com).
- DE** Dieses Produkt unterliegt der Garantie der Endor AG. Beachten Sie die beiliegenden Garantieblätter sowie die Allgemeinen Geschäftsbedingungen der Endor AG auf [fanatec.com](https://fanatec.com).
- FR** Ce produit est sous la garantie d'Endor AG. Reportez-vous aux fiches de garantie incluses ainsi qu'aux conditions générales d'Endor AG sur [fanatec.com](https://fanatec.com).
- ES** Este producto está bajo garantía de Endor AG. Consulte las hojas de garantía incluidas, así como los términos y condiciones de Endor AG en [fanatec.com](https://fanatec.com).
- IT** Questo prodotto è coperto dalla garanzia di Endor AG. Fare riferimento ai fogli di garanzia inclusi nonché ai termini e condizioni di Endor AG su [fanatec.com](https://fanatec.com).
- PT** Este produto está sob garantia da Endor AG. Consulte as folhas de garantia incluídas, bem como os termos e condições da Endor AG em [fanatec.com](https://fanatec.com).



Contact | Зв'язатися:  
 Endor AG  
 E.ON-Allee 3 - 84036 Landshut - Germany  
 Telephone | Телефон: +49 (871) 9221-122  
 Email | Електронна пошта: [info.webshop@fanatec.com](mailto:info.webshop@fanatec.com)

This product meets the requirements of the Technical Regulations which limit the use of certain hazardous substances in electrical and electronic equipment.  
 Цей продукт відповідає вимогам RoHS (Директива EC 2011/65 / EC)

ENDOR products comply with the European Union Directive 2011/65/EU and its amendments, including exemptions for the use of lead such as high-temperature solder. ENDOR is working to phase out the use of these exempted substances where technically possible.

The BMW logo, the BMW word mark and the BMW model designation are trademarks of BMW AG and are used under License.

Manufactured and distributed by  
**ENDOR®**  
 Fanatec® is a registered trademark of Endor AG  
 Designed and developed by Endor AG in Germany

E.ON-Allee 3 - 84036 Landshut - Germany  
 Telephone: +49 (871) 9221-122 Fax: +49 (871) 9221-221  
 Email: [info.webshop@fanatec.com](mailto:info.webshop@fanatec.com)  
 Website: [www.fanatec.com](https://www.fanatec.com) - [www.endor.ag](https://www.endor.ag)  
 Made in China