

FANATEC®

CSL Steering Wheel P1 V2



EN Quick Guide
FR Guide De Démarrage Rapide
DE Kurzanleitung
ES Guía Rápida
IT Guida Rapida
PT Guia Rápido



Rev.01

Video Manual

VIDEO MANUAL

Fanatec.com/QR/CSL-P1-V2

Driver Download

Fanatec.com/driver

Driver & Firmware Instruction Manual

Fanatec.com/df-manual-V1

Windows PC

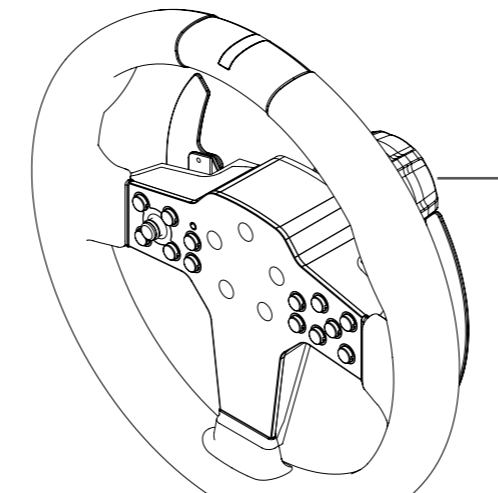
PC Mode

Update Firmware

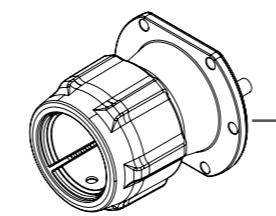
H EN Modes - Page 5; DE Modi - Seite 5; FR Modes - Page 5
ES Modos - Página 5; IT Modalità - Pagina 5; PT Modos - Página 5

EN Translations - Page 8; DE Übersetzungen - Seite 8; FR Traductions - Page 8
 ES Traducciones - Página 8; IT Traduzioni - Pagina 8; PT Traduções - Página 8

A PACKAGE CONTENT

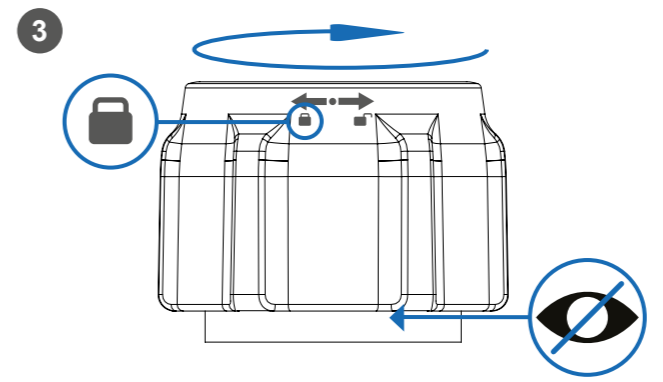
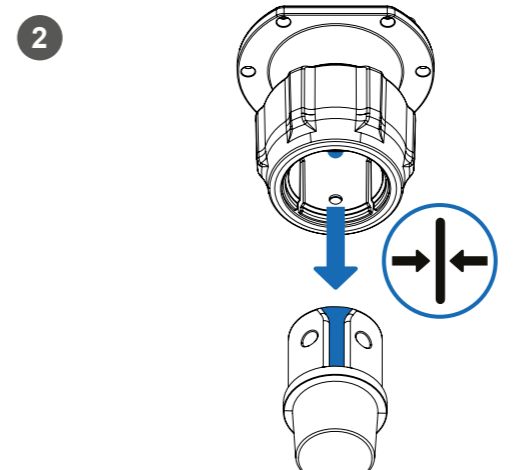
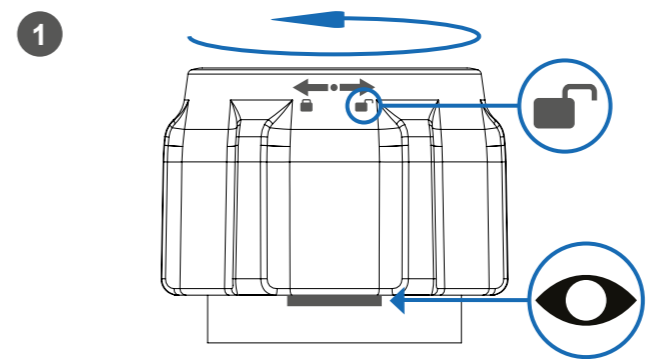


a 1x CSL Steering Wheel P1 V2

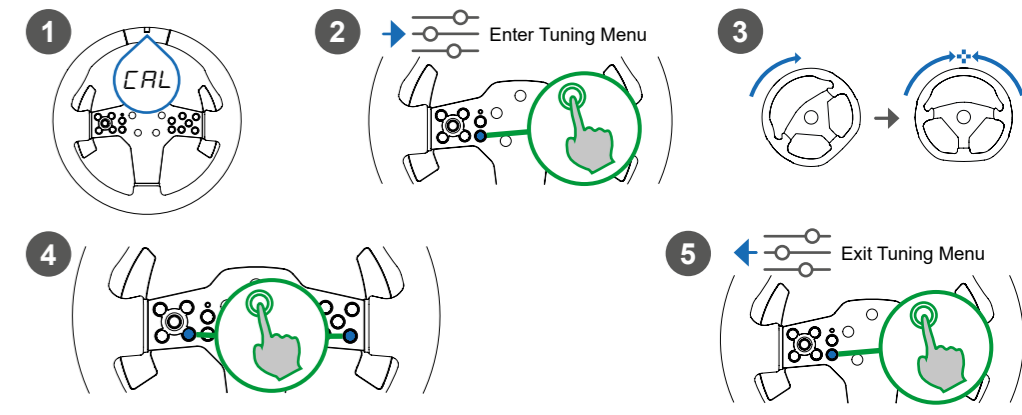


b 1x QR1 Lite Wheel-Side

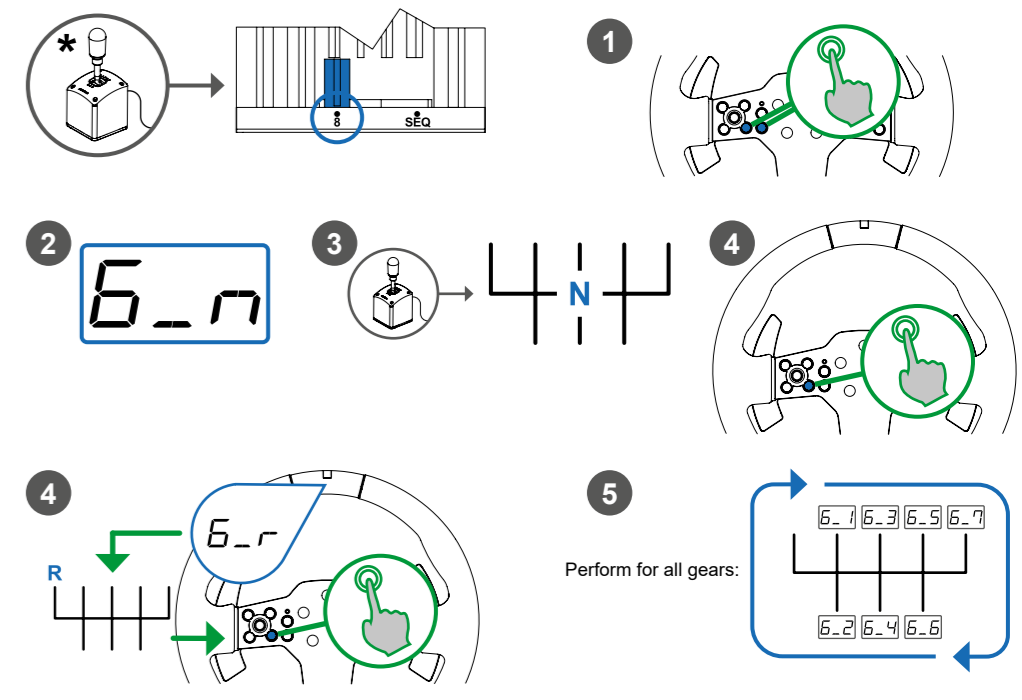
B STEERING WHEEL ATTACHMENT



C CENTRE CALIBRATION

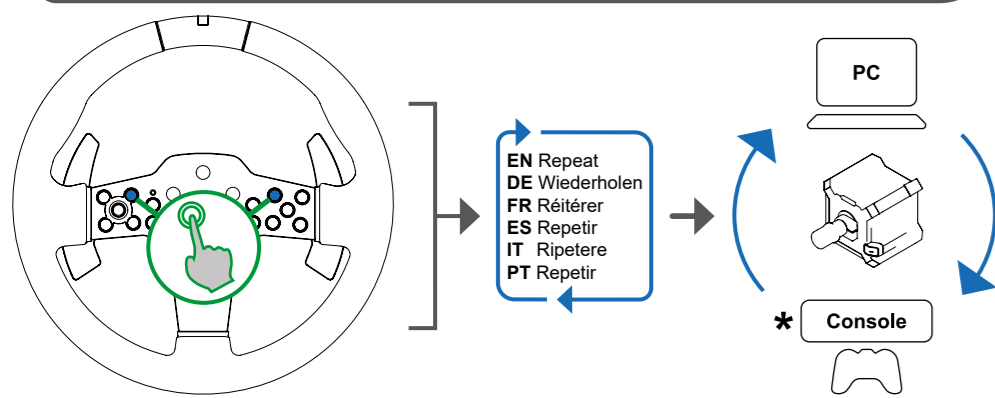


D SHIFTER CALIBRATION



* EN Sold separately; DE Separat erhältlich; FR Vendu séparément; ES Se vende por separado;
 IT Venduto separatamente; PT Vendido separadamente

E MODES

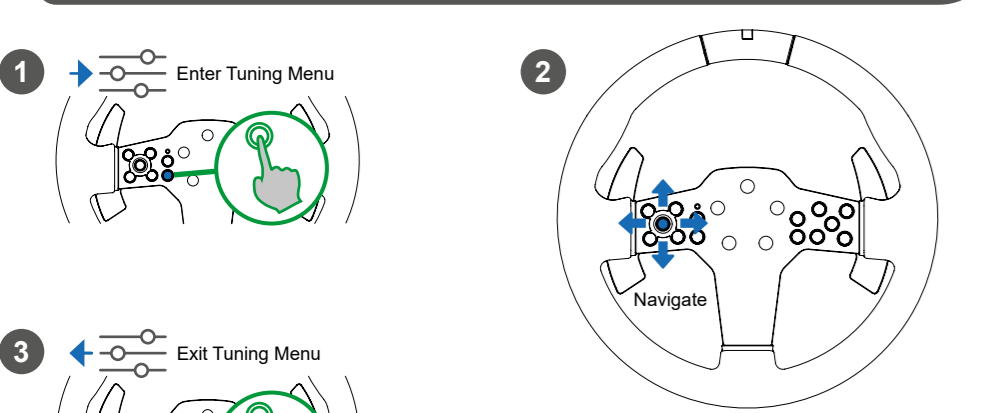


EN Repeat
DE Wiederholen
FR Réitérer
ES Repetir
IT Ripetere
PT Repetir

*** EN Wheel Base Dependent**
DE Je Nach Wheel Base
FR Dépendant de la base du volant
ES Dependiente de la Base del Volante
IT Dipendente dalla base del volante
PT Dependente da base do volante

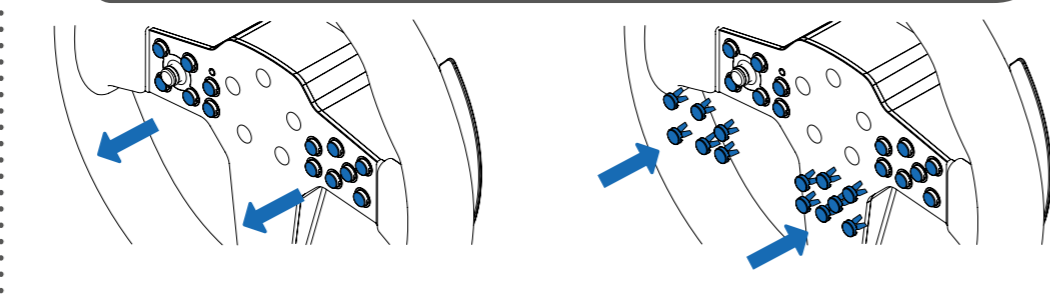
Fanatec.com/manuals

F TUNING OPTIONS

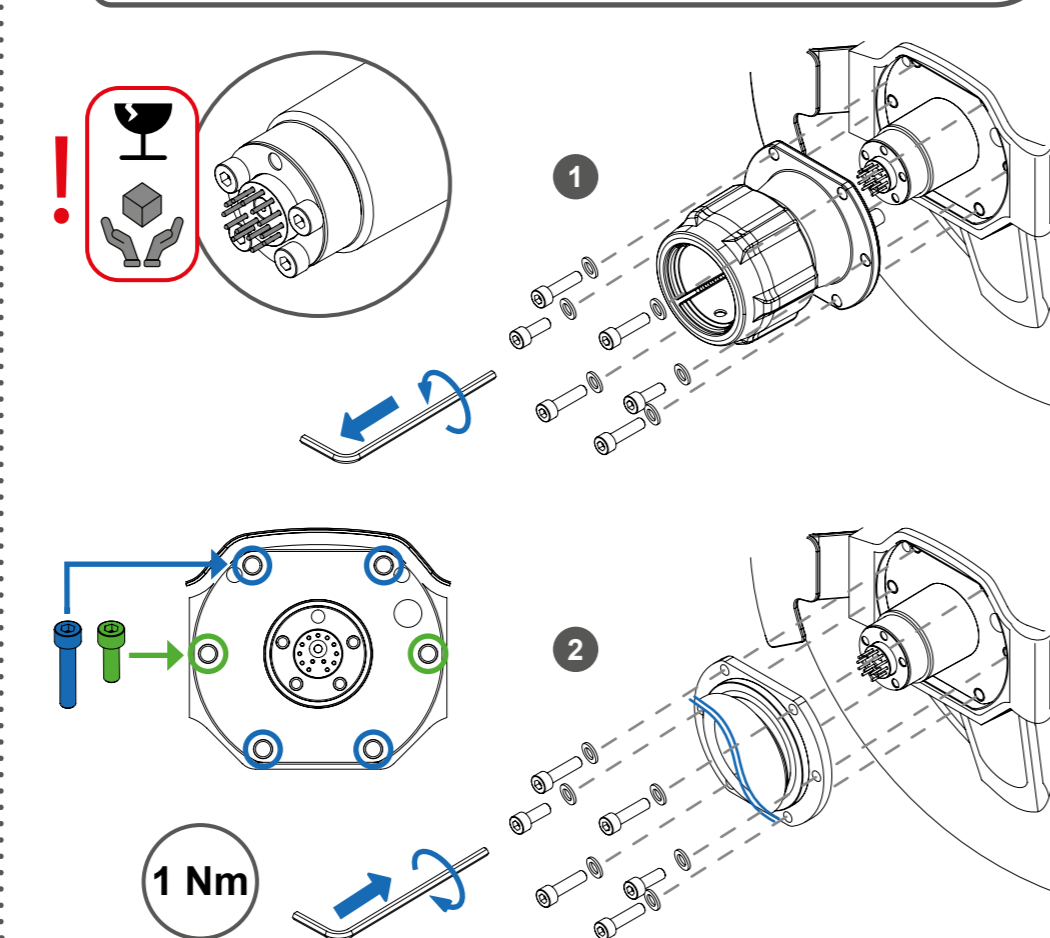


Fanatec.com/manuals

G BUTTON INSERTS



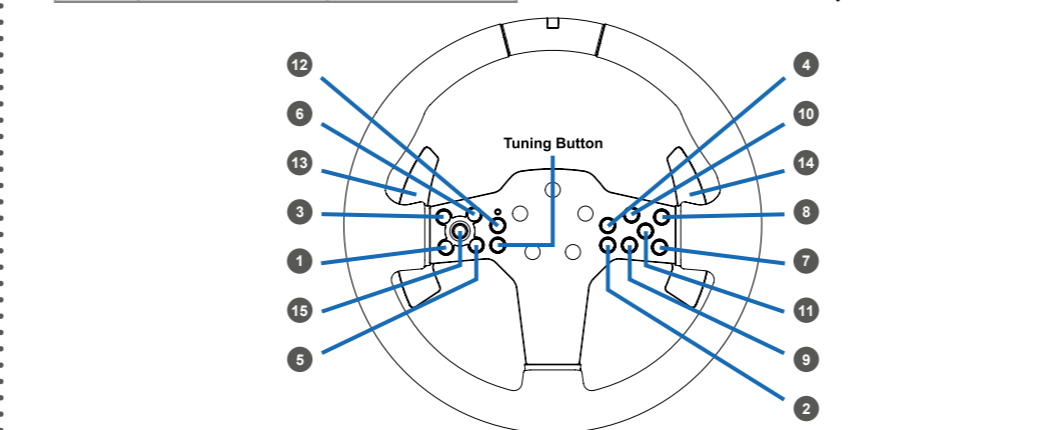
H QUICK RELEASE ATTACHMENT



I BUTTON MAPPING

#	PC	PlayStation®	#	PC	PlayStation®
1	8	L2	9	1	□
2	7	R2	10	2	△
3	12	*GSB 1	11	27	*GSB 3
4	11	*GSB 2	12	22	PS
5	10	≡	13	6	L1
6	9	√/	14	5	R1
7	2	X	15	↓, ↑, ←, →, ● - 25	↓, ↑, ←, →, ● - *GSB 4
8	3	O			

* GSB = Game-Specific Button



J SUPPORT

Fanatec.com/app

Fanatec.com/support/faq

Fanatec.com/QR/CSL-P1-V2

A-E

- A** DE Lieferumfang; FR Contenu de l'emballage; ES Contenido del embalaje; IT Contenuto della confezione; PT Conteúdo da embalagem
- B** DE Lenkradbefestigung; FR Montage du volant; ES Montaje del volante; IT Attacco del volante; PT Fixação do volante
- C** DE Kalibrierung der mittelstellung; FR Calibrage du centre de volant; ES Centrado del volante; IT Calibrazione del centro del volante; PT Calibração do centro
- D** DE Kalibrierung des schalthebels; FR Calibrage du levier de vitesse; ES Calibración de la palanca de cambios; IT Calibrazione del cambio; PT Calibragem de mudanças
- E** DE Für alle Gänge durchführen; FR Performer pour tous les rapports; ES Ejecutar para todas las velocidades; IT Eseguì per tutte le marce; PT Executar para todas as engrenagens



Contact | 3a satriace:
Endor AG
E.ON-Allee 3 - 84036 Landshut - Germany
Telephone | Telefon: +49 (871) 9221-122
Email | E-mail: info@fanatec.com; info.webshop@fanatec.com

This product meets the requirements of the Technical Regulations which limit the use of certain hazardous substances in electrical and electronic equipment.
Ukrajnoprojekt elektronickajh vymogam RoHS (Direktiva EC 2011/65 / EC)

This device complies with part 15 of the FCC rules. The operation of this device is subject to the following two conditions:

- This device may not cause harmful interference, and must accept any interference received, including interference that may cause undesired operation.
- This device was not modified differently than described explicitly in this user manual.

NOTE: This device was tested and approved to the limitations for class B of digital devices according to part 15 of the FCC rules. This limitation should ensure an adequate protection against harmful interferences in residential areas. However, a warranty for the non-recurring of interferences is not assumed.

Do not modify the device differently than explicitly described in the product-related user manual. Nevertheless, if you do modify the device differently than explicitly described in the product-related manual, you can be determined to stop the operation of the device.

Imported and distributed by Endor America LLC
8200 Wilshire Blvd. Suite 200 - Beverly Hills CA 90211 - USA
US/CAN: +1 321-855-3524
Email: info.webshop@fanatec.com
Website: www.fanatec.com - www.endor.ag

China RoHS 2

China RoHS 2 refers to the Ministry of Industry and Information Technology Order No. 32, effective July 1, 2016, titled Management Methods for the Restriction of the Use of Hazardous Substances in Electrical and Electronic Products. To comply with China RoHS 2, we determined this product's Environmental Protection Use Period (EUP) to be 10 years in accordance with the Marking for the Restricted Use of Hazardous Substances in Electronic and Electrical Products, SJT 11364-2014.

Part Name	Hazardous Substances					
	Pb	Hg	Cd	Cr+6	PBB	PBDE
电源线/电源 (Cable/Adaptor)	o	o	o	o	o	o
塑料 (Plastic)	o	o	o	o	o	o
金属部件 (Metal parts)	x	o	o	o	o	o
其它所有零件 (Other enclosure components)	o	o	o	o	o	o
电路板组件 (PCBA)	o	o	o	o	o	o

Manufactured and distributed by

ENDOR®

Fanatec® is a registered trademark of Endor AG
Designed and developed by Endor AG in Germany

E.ON-Allee 3 - 84036 Landshut - Germany
EU: 00800 0 FANATEC or +49 (871) 9221-122
US/CANADA: 011 800 0 FANATEC or +49 (871) 9221-122
AUSTRALIA: 00800 0 FANATEC or +49 (871) 9221-122
JAPAN: +81 306 7172 -719
Email: info.webshop@fanatec.com
Website: www.fanatec.com - www.endor.ag
Made in China