

FANATEC®

CSL Elite Pedals V2



EN Quick Guide
FR Guide De Démarrage Rapide
DE Kurzanleitung
ES Guía Rápida
IT Guida Rapida
PT Guia Rápido



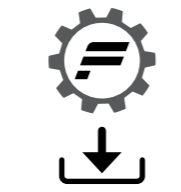
Rev.12

Video Manual



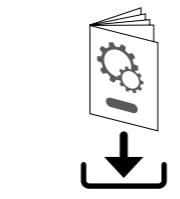
Fanatec.com/QR/CSL-EP-V2

Driver Download



Fanatec.com/driver

Driver & Firmware Instruction Manual



Fanatec.com/df-manual-V1

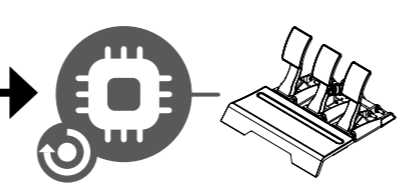


EN IMPORTANT! Do not connect the Pedals via RJ12 and USB at the same time!
DE WICHTIG! Verbinden Sie die Pedale niemals über RJ12 und USB gleichzeitig!
FR IMPORTANT! Ne connectez pas les pédales via les ports RJ12 et USB en même temps!
ES ¡IMPORTANTE! No conecte los pedales mediante los puertos RJ12 y USB al mismo tiempo!
IT IMPORTANTE! Non connettere i Pedali via RJ12 e USB allo stesso tempo!
PT IMPORTANTE! Não conecte os pedais através das portas RJ12 e USB ao mesmo tempo!

Windows PC

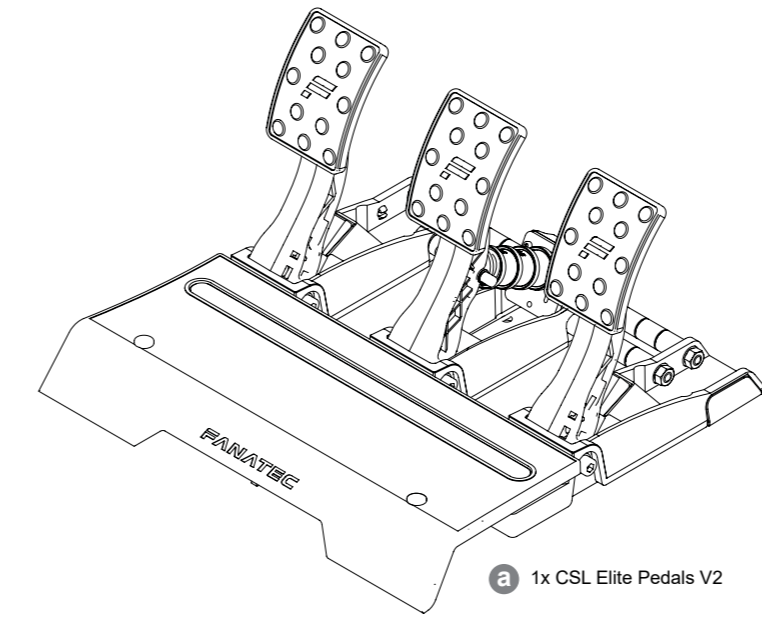


Update Firmware

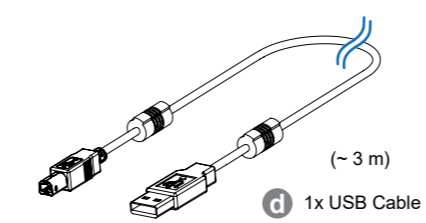
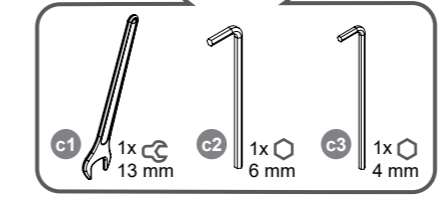
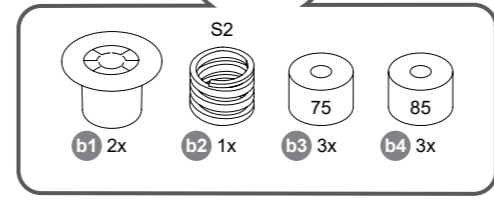
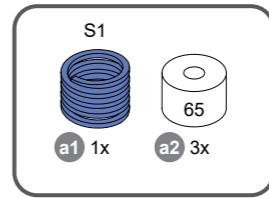


Fanatec.com/manuals

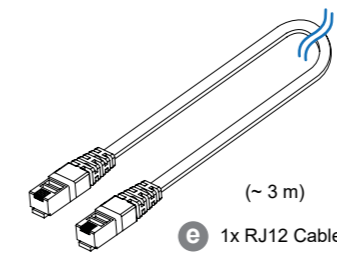
A PACKAGE CONTENT



a 1x CSL Elite Pedals V2

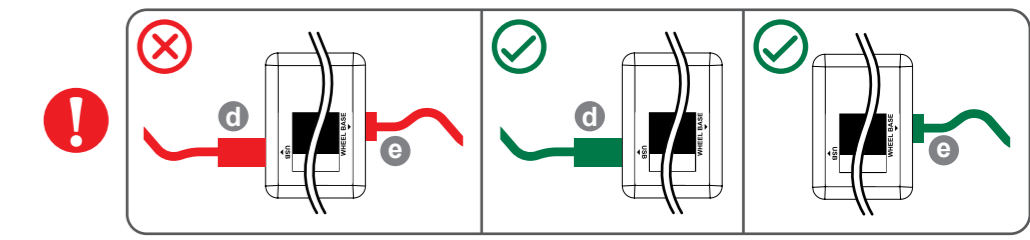


d 1x USB Cable

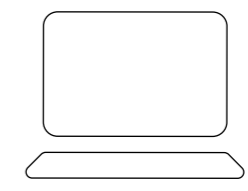


e 1x RJ12 Cable

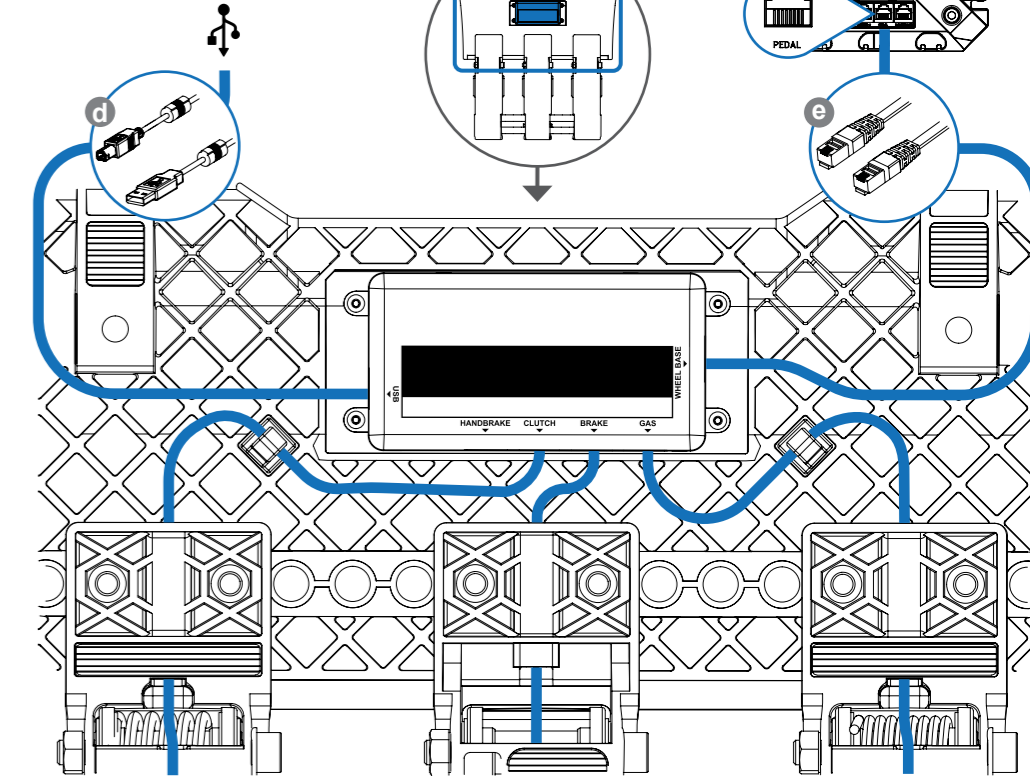
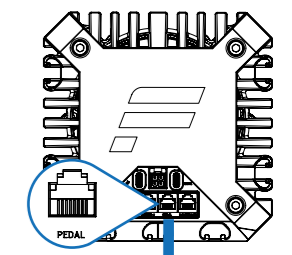
B CONNECTIONS



Windows PC



Wheel Base

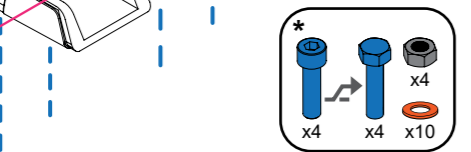
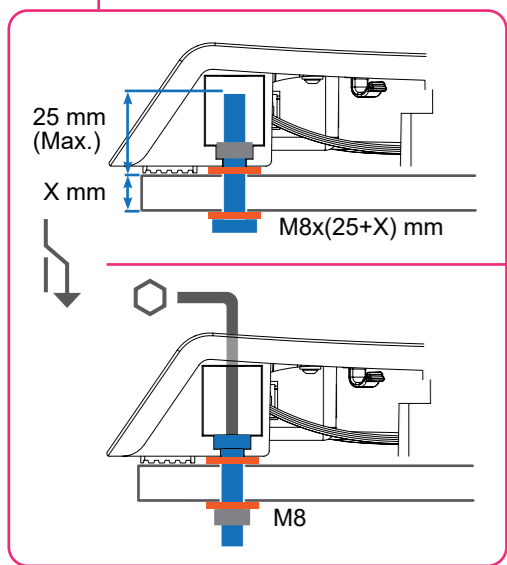
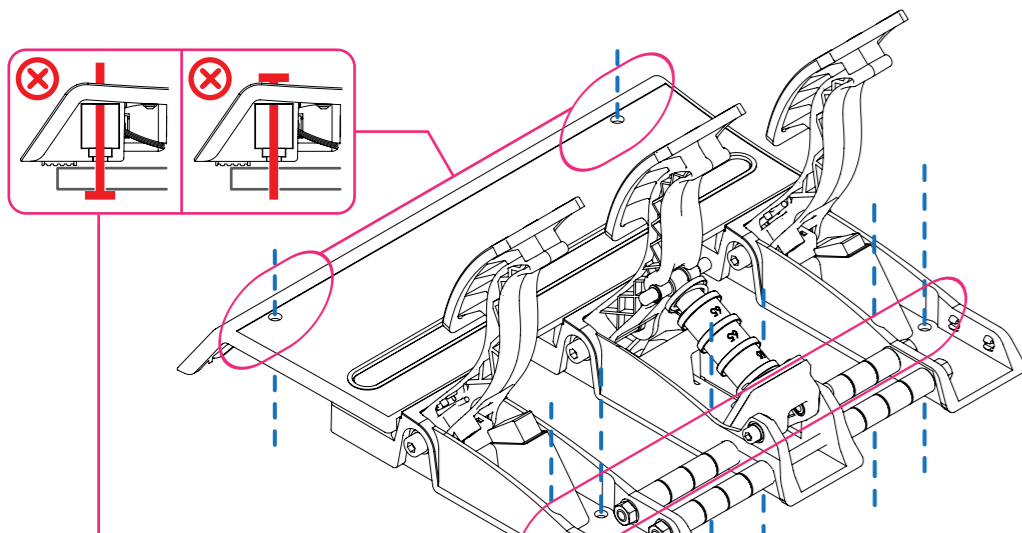


1

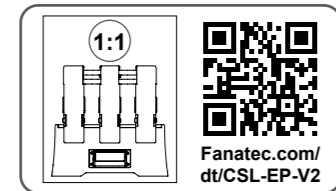
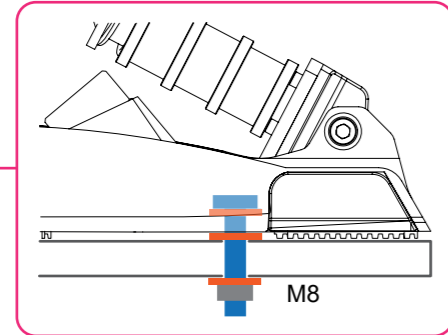
2

3

C HARD-MOUNT

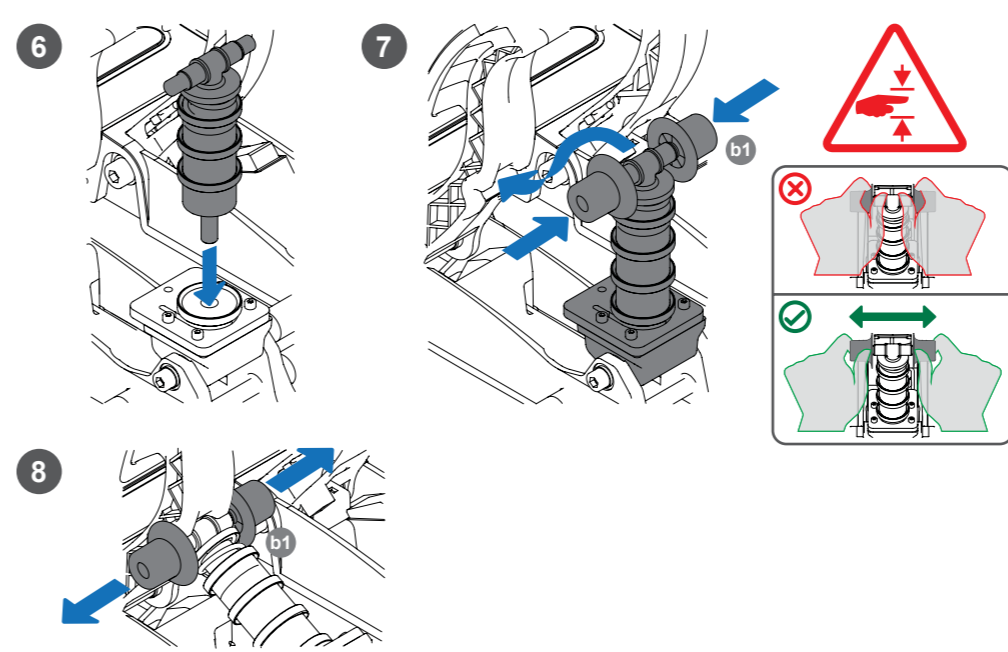
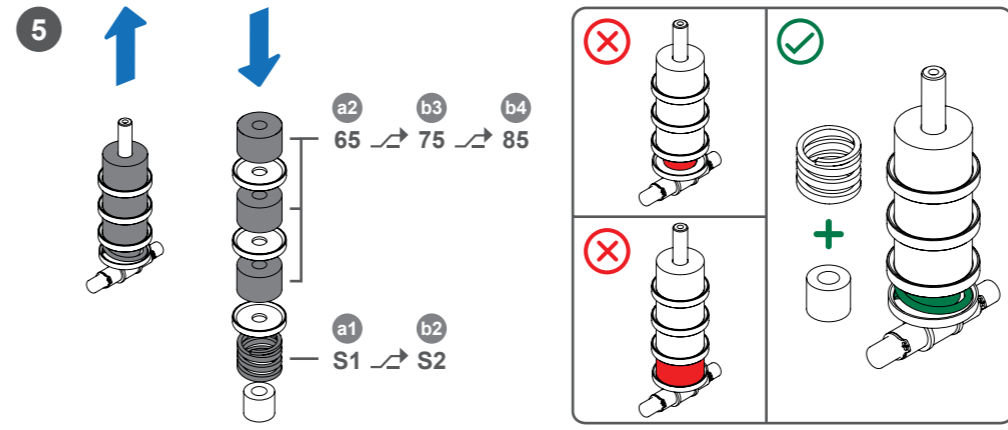
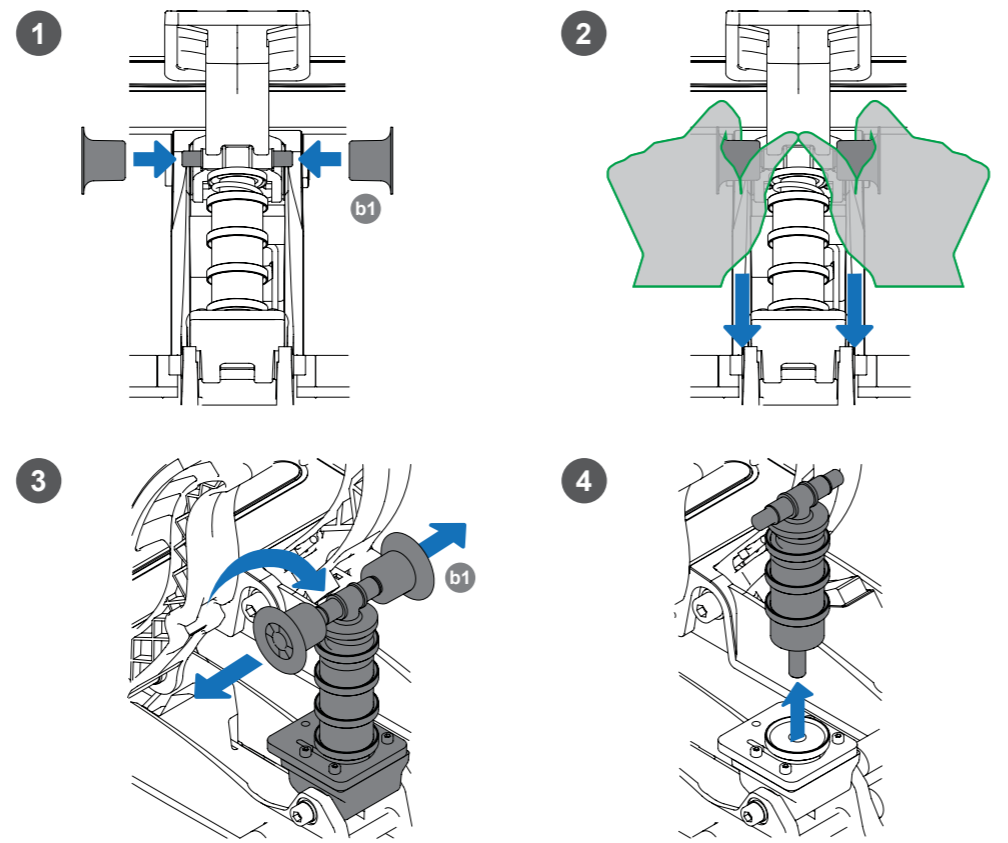


* EN Not included; DE Nicht enthalten; FR Non inclus; ES No incluido; IT Non incluso; PT Não incluído



D BRAKE TUNING OPTIONS

Shore	Setting	BRF	Weight
Shore 65	S1	80 (max) Lo / Min	65 kg (max)
Shore 75	S2	Hi / Max Lo / Min	90 kg (max)
Shore 85			



E SUPPORT



- A** DE Lieferumfang; FR Contenu de l'emballage; ES Contenidos del embalaje; IT Contenuto della confezione; PT Conteúdo da embalagem
- B** DE Anschlüsse; FR Raccordements; ES Conexiones; IT Connessioni; PT Ligações
- C** DE Festinstallation; FR Installation fixe; ES Instalación fija; IT Installazione fissa; PT Instalação fixa
- D** DE Einstellungsoptionen; FR Options de réglage; ES Opciones de ajuste; IT Opzioni di sintonizzazione; PT Opções de afinação
- E** DE Unterstützung; FR Support technique; ES Soporte técnico; IT Supporto tecnico; PT Suporte técnico

- EN** The product warranty is provided by Endor AG. Refer to the included warranty sheet as well as the terms & conditions of Endor AG on fanatec.com.
- DE** Dieses Produkt unterliegt der Garantie der Endor AG. Beachten Sie die beiliegenden Garantieblätter sowie die Allgemeinen Geschäftsbedingungen der Endor AG auf fanatec.com.
- FR** Ce produit est sous la garantie d'Endor AG. Reportez-vous aux fiches de garantie incluses ainsi qu'aux conditions générales d'Endor AG sur fanatec.com.
- ES** Este producto está bajo garantía de Endor AG. Consulte las hojas de garantía incluidas, así como los términos y condiciones de Endor AG en fanatec.com.
- IT** Questo prodotto è coperto dalla garanzia di Endor AG. Fare riferimento ai fogli di garanzia inclusi nonché ai termini e condizioni di Endor AG su fanatec.com.
- PT** Este produto está sob garantia da Endor AG. Consulte as folhas de garantia incluídas, bem como os termos e condições da Endor AG em fanatec.com.



This device complies with part 15 of the FCC rules. The operation of this device is subject to the following two conditions:

- This device may not cause harmful interference, and must accept any interference received, including interference that may cause undesired operation.
- This device was not modified differently than described explicitly in this user manual.

NOTE: This device was tested and approved to the limitations for class B of digital devices according to part 15 of the FCC rules. This limitation should ensure an adequate protection against harmful interferences in residential areas. However, a warranty for the non-recurring of interferences is not assumed.

Do not modify the device differently than explicitly described in the product-related user manual. Nevertheless, if you do modify the device differently than explicitly described in the product-related manual, you can be determined to stop the operation of the device.

Manufactured and distributed by
ENDOR
 Fanatec® is a registered trademark of Endor AG
 Designed and developed by Endor AG in Germany

E.ON-Allee 3 - 84036 Landshut - Germany
 EU: 00800 0 FANATEC or +49 (871) 9221-122
 US/CANADA: 011 800 0 FANATEC or +49 (871) 9221-122
 AUSTRALIA: 00800 0 FANATEC or +49 (871) 9221-122
 JAPAN: +81 306 7172-719
 Email: info.webshop@fanatec.com
 Website: www.fanatec.com - www.endor.ag
 Made in China

Contact | Контакт:
 Endor AG
 E.ON-Allee 3 - 84036 Landshut - Germany
 Telephone | Телефон: +49 (871) 9221-122
 Email | Электронная почта: info.webshop@fanatec.com

This product meets the requirements of the Technical Regulations which limit the use of certain hazardous substances in electrical and electronic equipment.
 Цей продукт відповідає вимогам RoHS (Директива EC 2011/65 / EC)