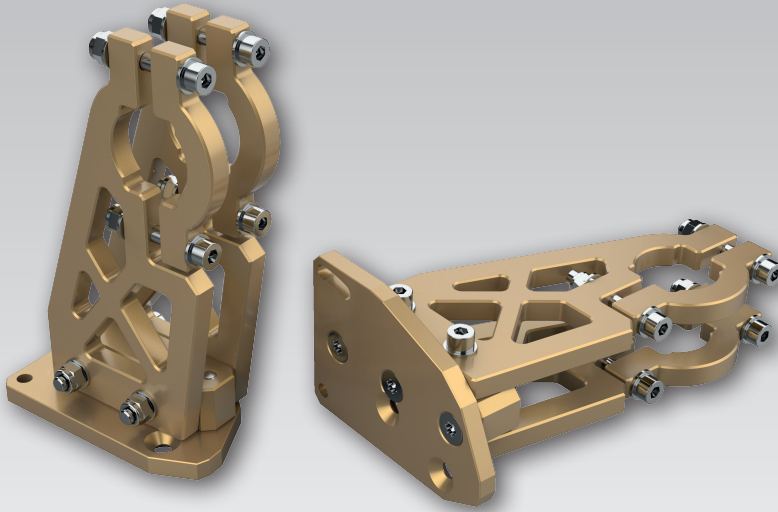


FANATEC®

PODIUM MOUNTING BRACKETS

Quick Guide

EN

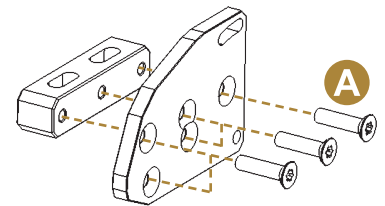


WHAT'S INCLUDED

- 2x Mounting Plates
- 2x Mounting Side Adapters
- 4x Mounting Arms
- 6x Torx countersunk bolts for mounting the Side Adapters M8x30mm (A)
- 4x Mounting bolts for the Podium Wheel Base M8x25mm (B)
- 4x Allen bolts for the Mounting Arms M8x65mm (C)
- 8x Allen bolts for mounting on Rennsport Cockpit/40x40mm aluminium profile M8x55mm (D)
- 8x Allen bolts for mounting on 80x40mm aluminium profile M8x105mm (E)
- 12x M8 Nut
- 24x Aluminium washers

MOUNTING

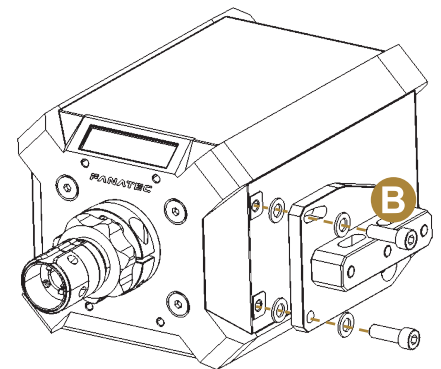
First screw the Side Adapters to the Mounting Plates. There are two fixed angle options, as well as a curved channel that allows for fine adjustments.



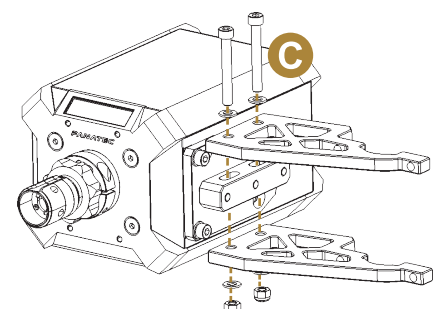
Screw the Mounting Plates to the side panels of the Podium Wheel Base. Assemble the enclosed distance rings between Podium Wheel Base and the Mounting Plate.

⚠ IMPORTANT!

To prevent cosmetic damages, first assemble the Mounting Plates to the Podium Wheel Base!



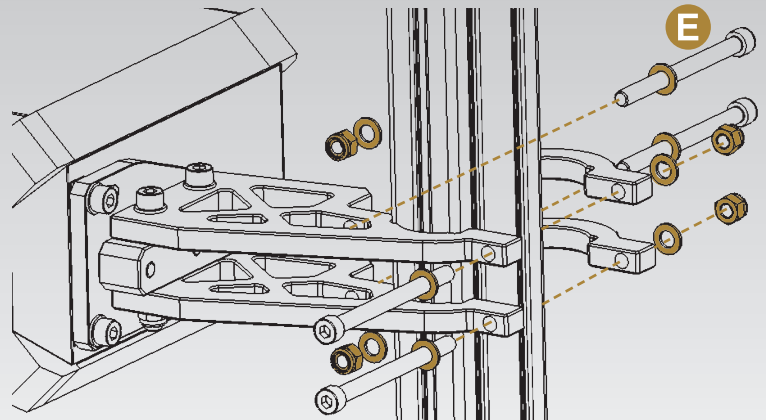
Screw the four Mounting Arms to the Mounting Plates. Mount the Mounting Arms, with the angled side to the front, on the top and bottom of the Mounting Plate.



ON ALUMINIUM PROFILE

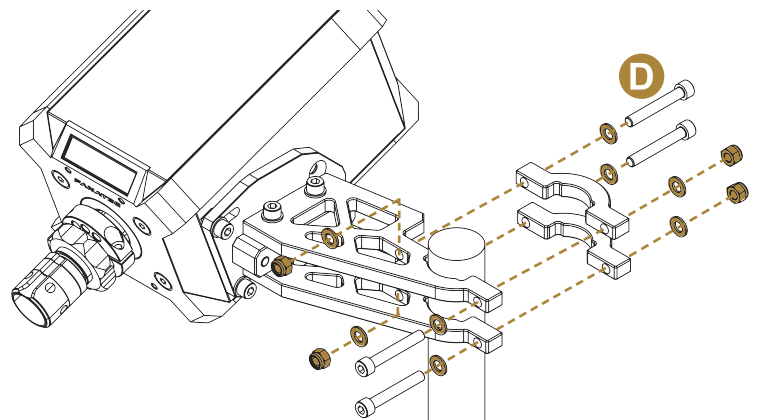
Squared notches allow the use of 40mm aluminium profile.

Tighten the clamps using the screws provided:
short screws for 40x40mm profile and long screws for 80x40mm profile.



ON RENNSPORT COCKPIT V2

Slide the assembly on the tubes of the cockpit and tighten the clamps with the shorter screws provided.



Manufactured by

ENDOR[®]

Fanatec[®] is a registered trademark of Endor AG
Designed and developed by Endor AG in Germany
E.ON-Allee 3 - 84036 Landshut - Germany
Telephone: +49 (871) 9221-122 Fax: +49 (871) 9221-221
Email: info.webshop@fanatec.com
Website: www.fanatec.com - www.endor.ag



www.fanatec.com