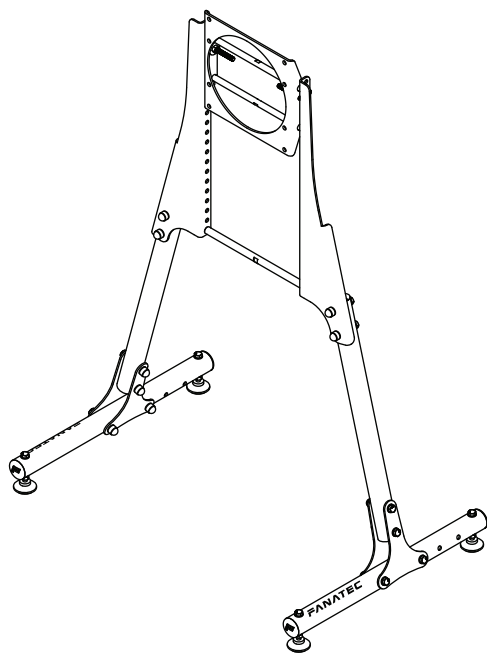


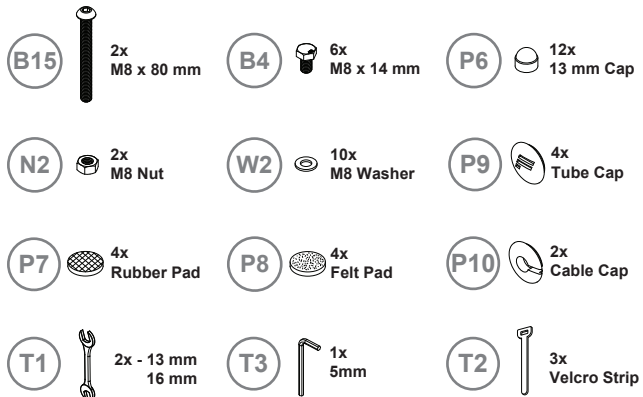
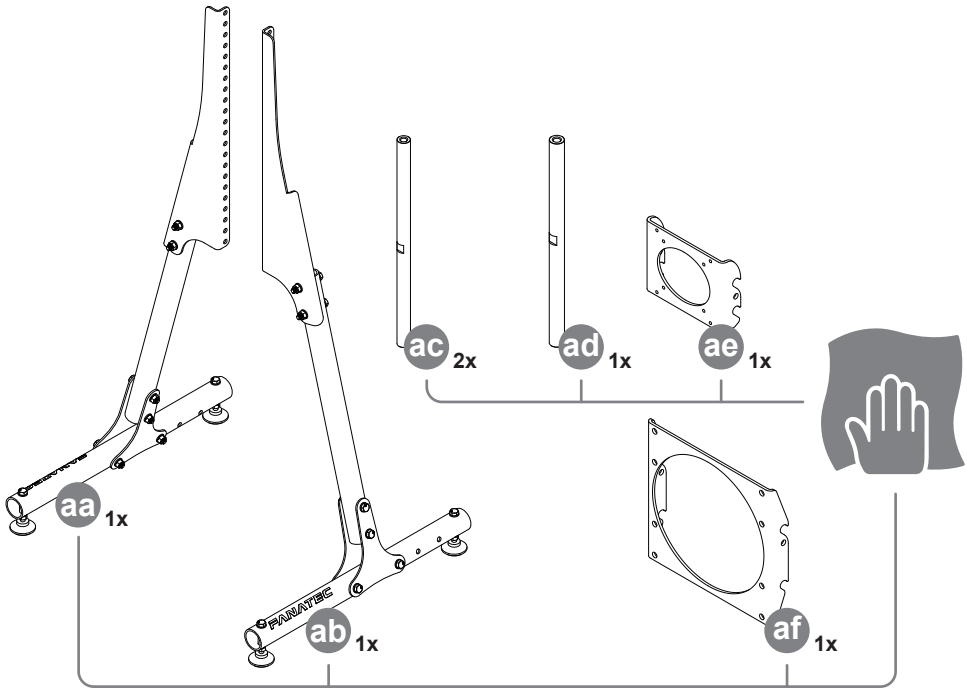
FANATEC®

CSL **COCKPIT MONITOR STAND**



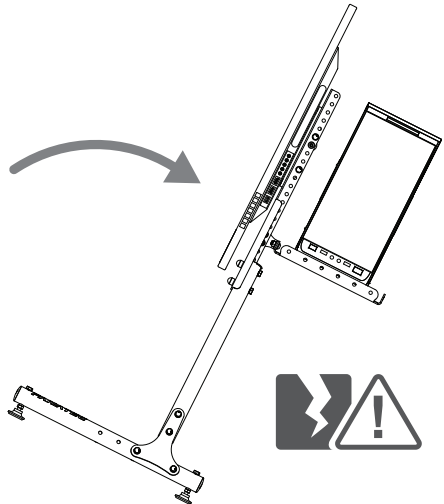
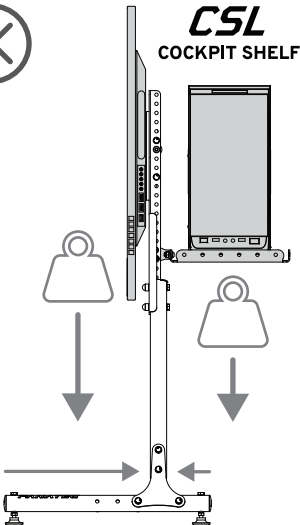
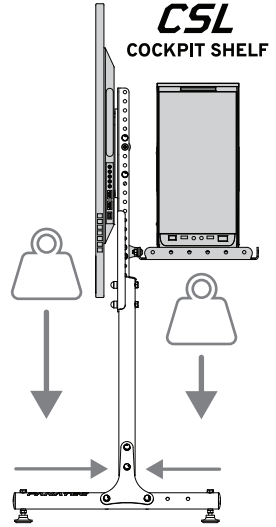
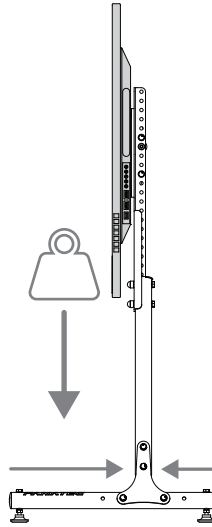
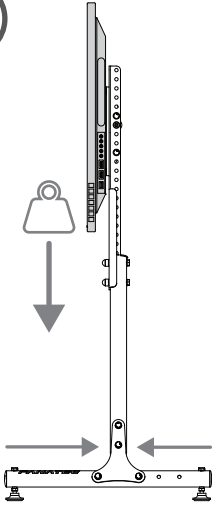


FR Contenu de l'emballage; DE Lieferumfang; ES Contenido del embalaje; IT Contenuto della confezione; PT Conteúdo da embalagem

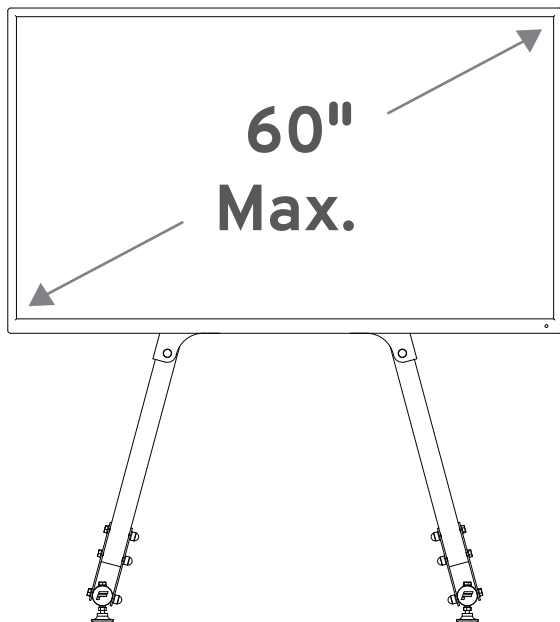




FR Pour commencer; DE Erste Schritte; ES Cómo comenzar; IT Come iniziare; PT Começando

1

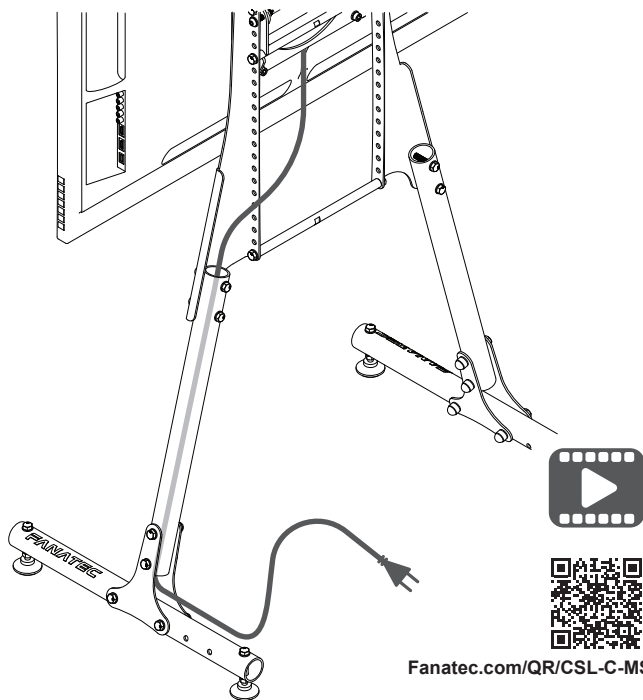
2



3



EN Optional
FR En option
DE Optional
ES Opcional
IT Opzionale
PT Opcional



Fanatec.com/QR/CSL-C-MS-Cable-Routing



FR Assemblage; DE Zusammenbau; ES Montaje; IT Montaggio; PT Montagem

1

1x aa

1x ab

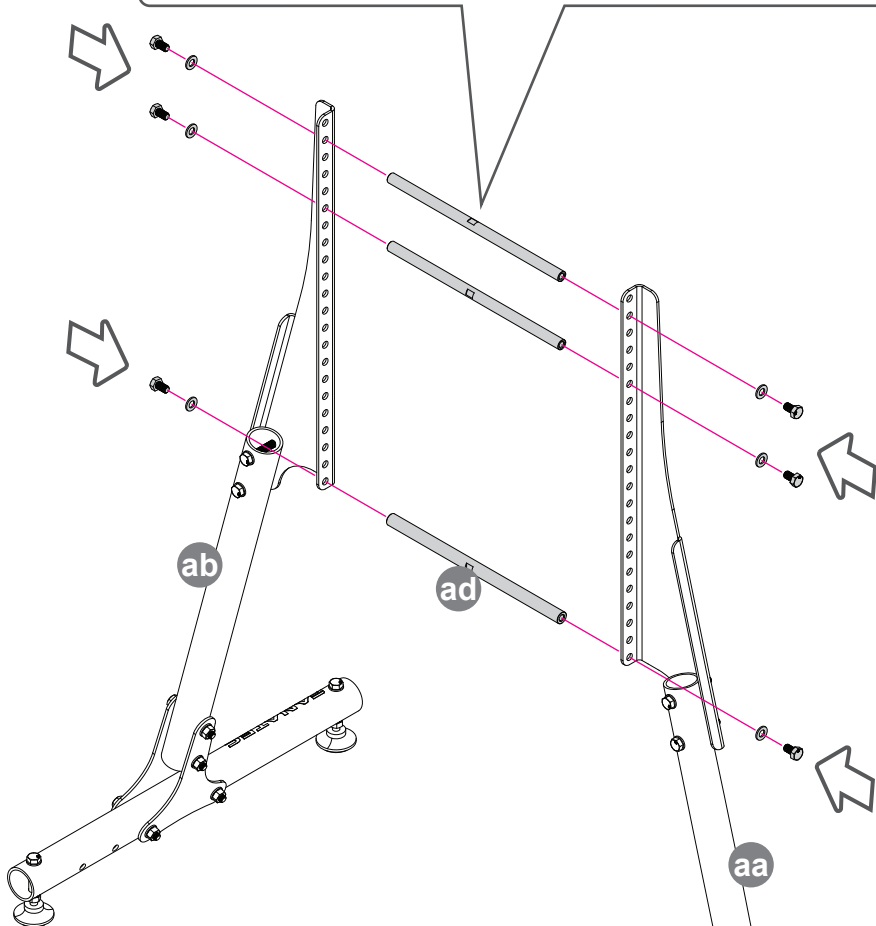
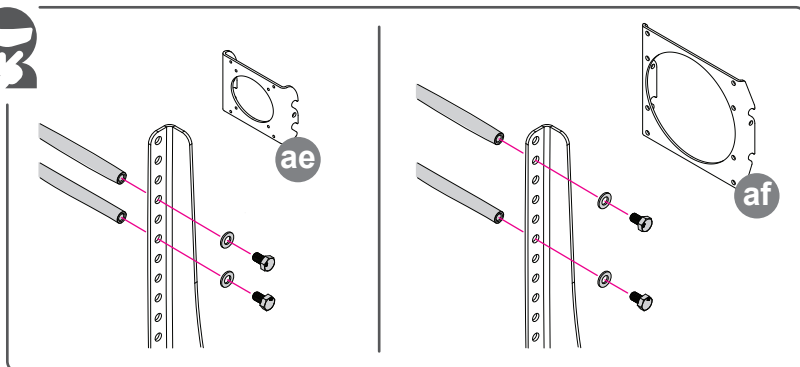
2x ac

1x ad

6x B4

6x W2

2x T1

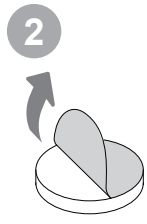


2

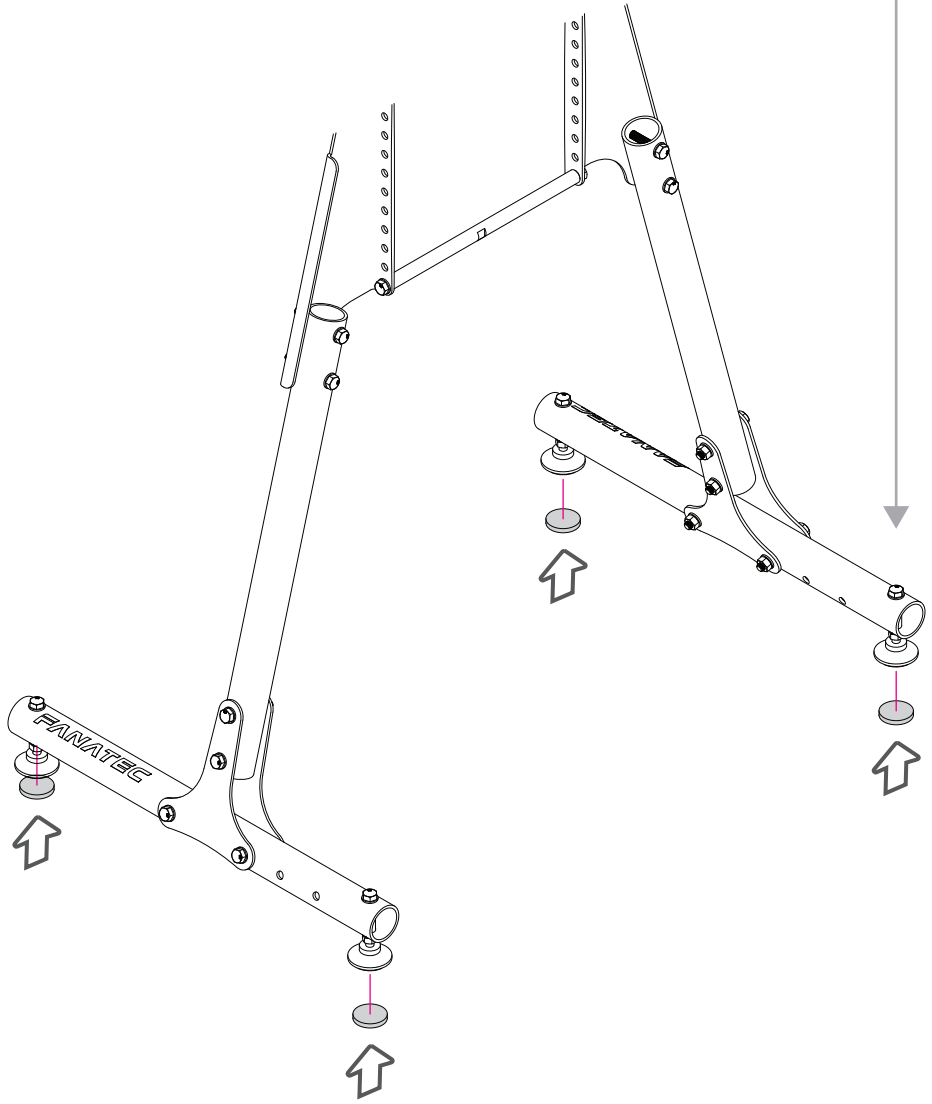
4x P7 



4x P8 



3

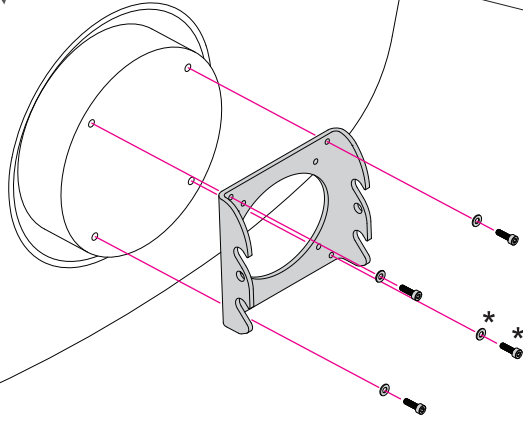
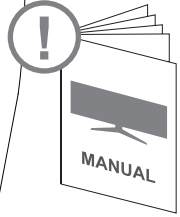


3

1x ae



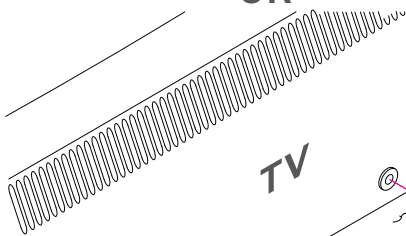
Monitor



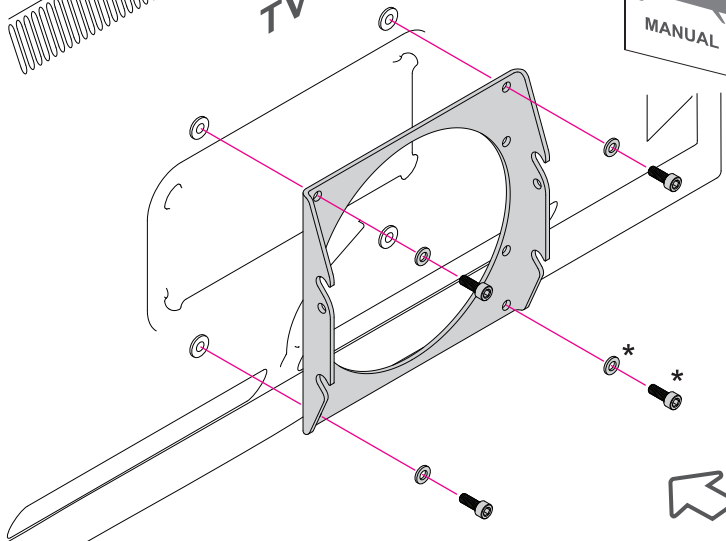
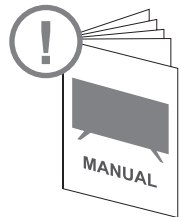
- * EN Not included
- FR Non inclus
- DE Nicht enthalten
- ES No incluido
- IT Non incluso
- PT Não incluído

OR

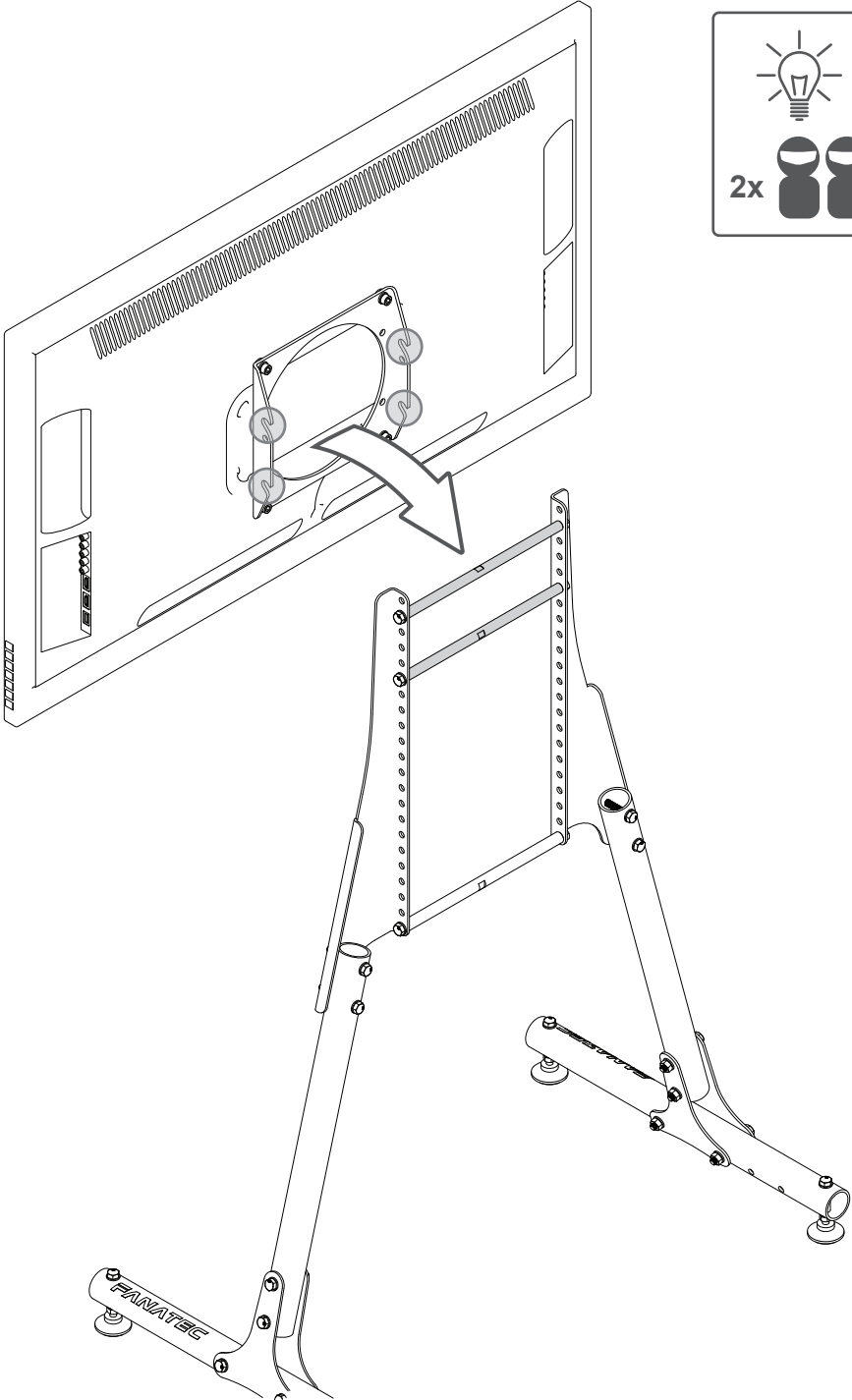
1x af



TV



4



7

5

2x (B15)

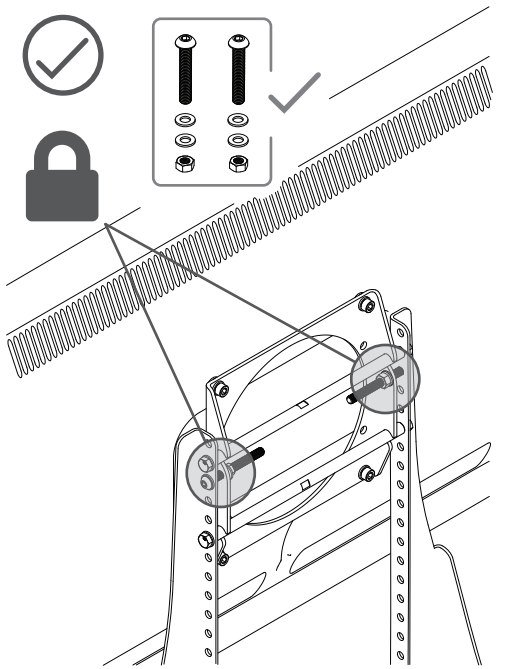
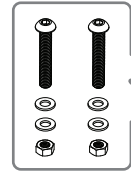
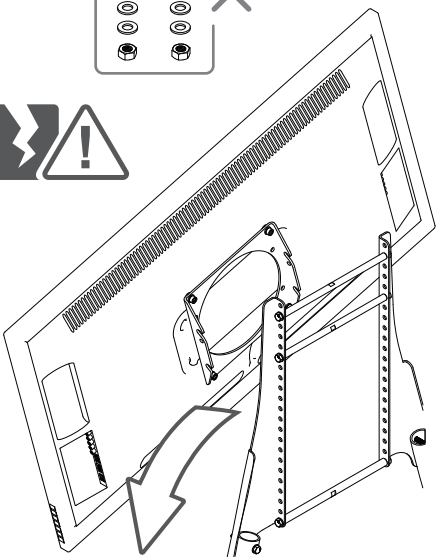
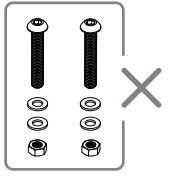
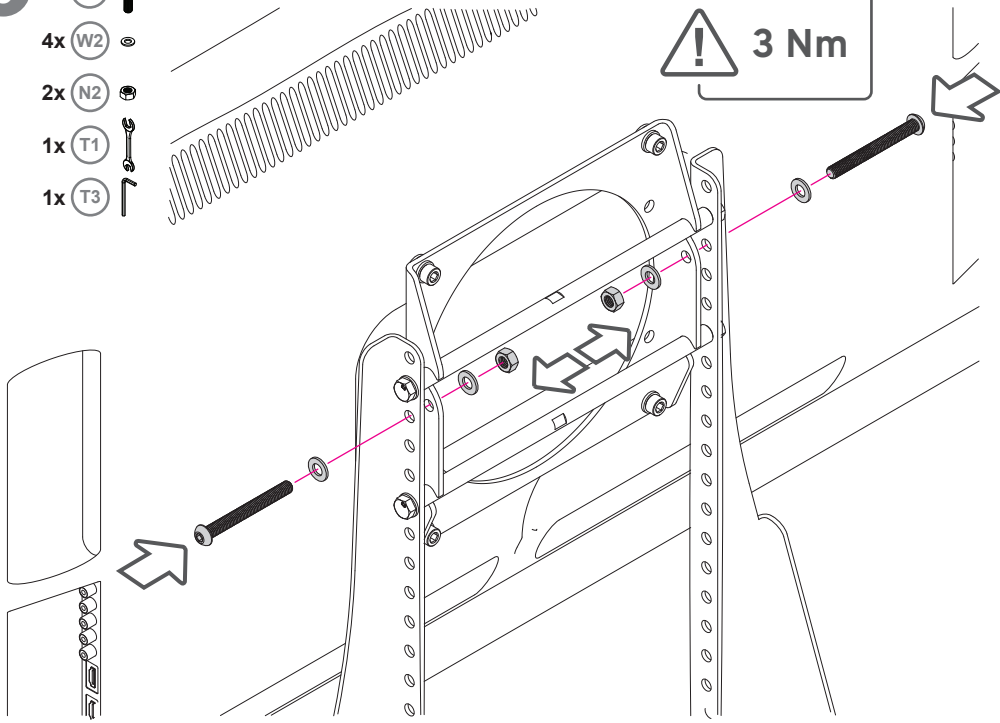
4x (W2)

2x (N2)

1x (T1)

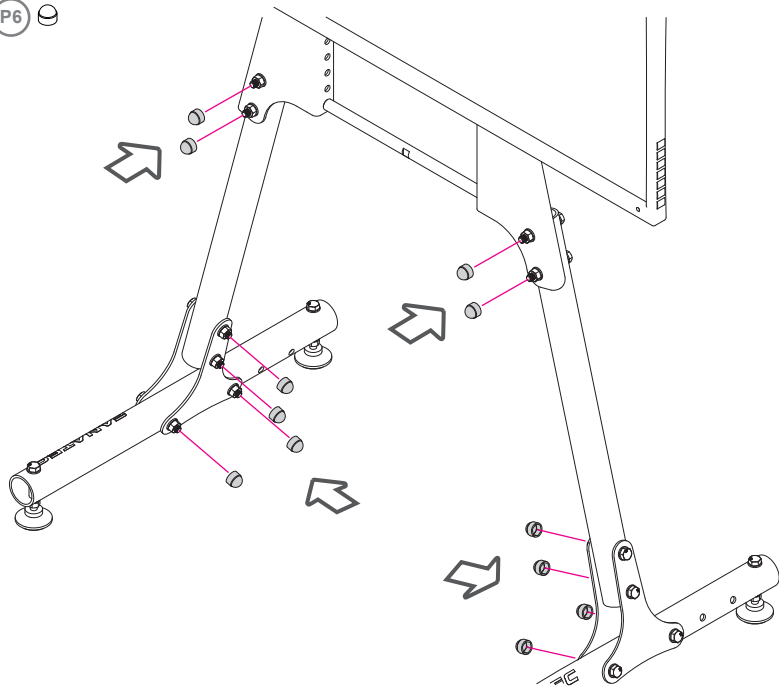
1x (T3)

3 Nm



6

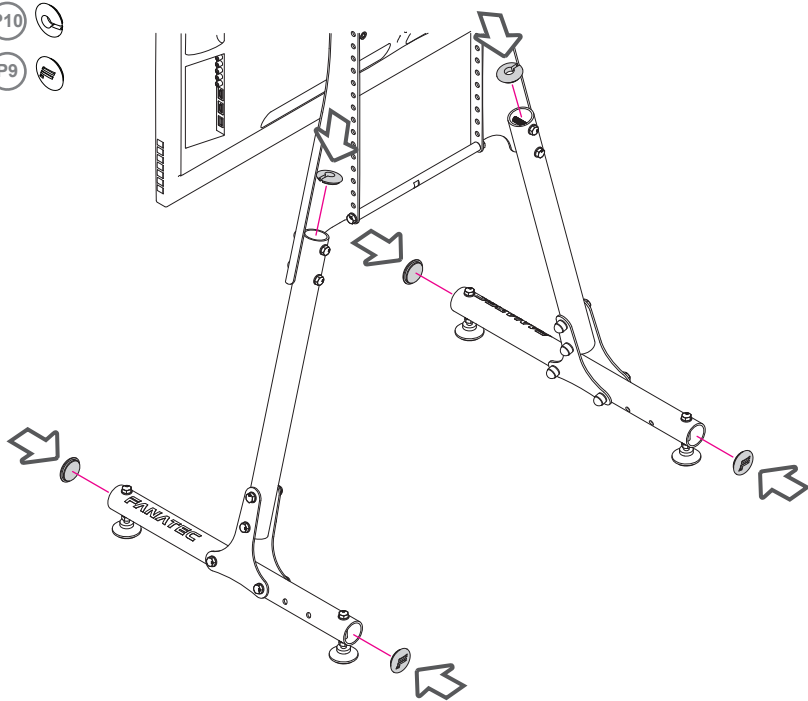
12x P6

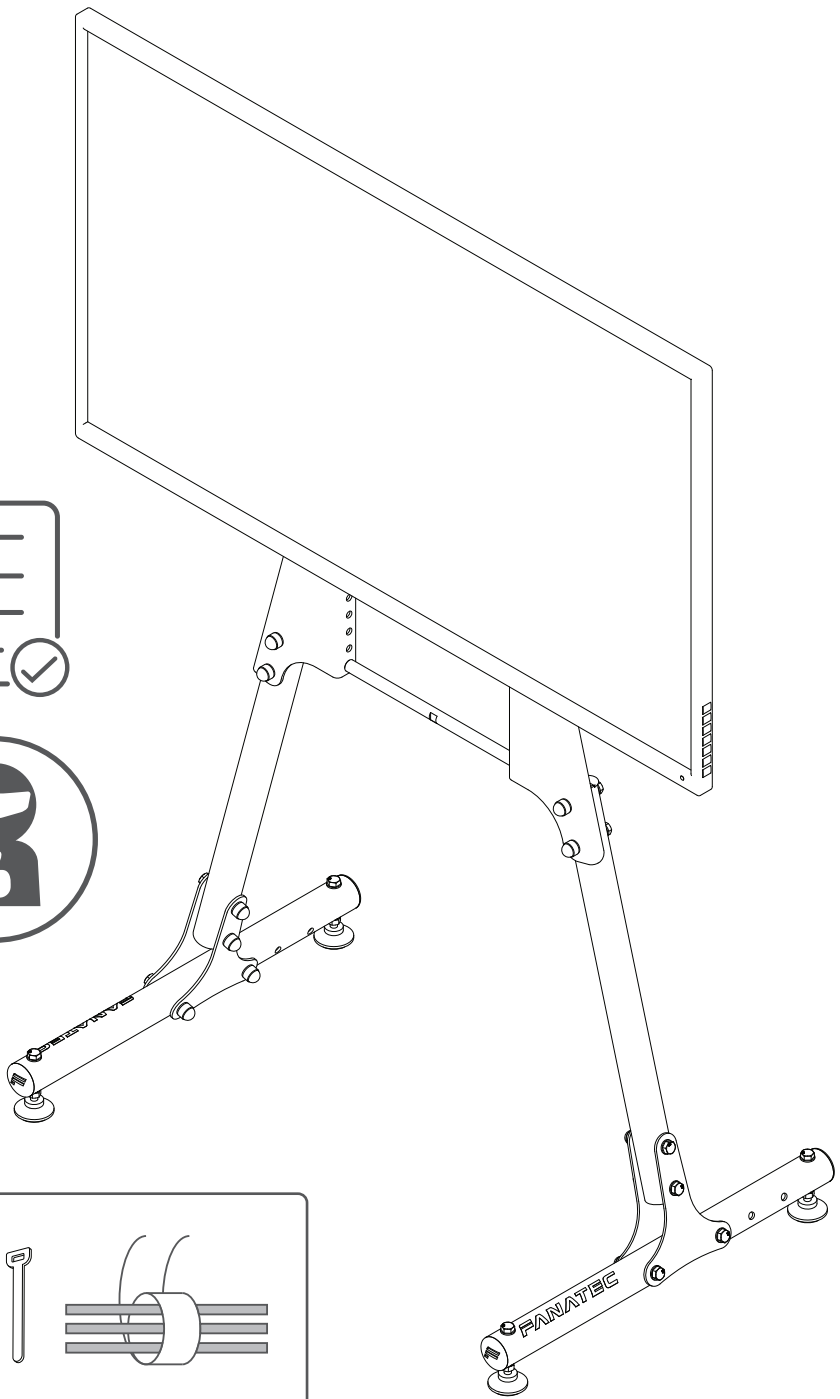
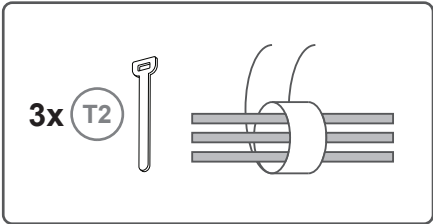
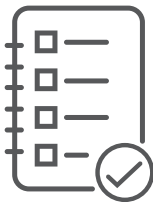


7

2x P10

4x P9







FR Support technique; DE Unterstützung; ES Soporte técnico; IT Supporto tecnico; PT Suporte técnico



VIDEO
MANUAL



Fanatec.com/QR/CSL-C-MS



Fanatec.com/app



Fanatec.com/support/faq

EN

The product warranty is provided by Corsair GmbH. Refer to the terms & conditions of Corsair GmbH on fanatec.com.

FR

La garantie du produit est fournie par Corsair GmbH. Veuillez consulter les conditions générales de Corsair GmbH sur fanatec.com.

DE

Die Produktgarantie wird von der Corsair GmbH gewährt. Bitte beachten Sie die Allgemeinen Geschäftsbedingungen der Corsair GmbH auf fanatec.com.

ES

La garantía del producto la proporciona Corsair GmbH. Consulte los términos y condiciones de Corsair GmbH en fanatec.com.

IT

La garanzia del prodotto è fornita da Corsair GmbH. Consultare i termini e le condizioni di Corsair GmbH su fanatec.com.

PT

A garantia do produto é fornecida pela Corsair GmbH. Consulte os termos e condições da Corsair GmbH em fanatec.com.

FANATEC®

Fanatec® is a registered trademark of Corsair GmbH
E.ON-Allee 5 - 84036 Landshut - Germany
Telephone: 00800 0 FANATEC or +49 (871) 9221-122
US/CAN Telephone: 011 800 0 FANATEC or +49 (871) 9221-122
Australia Telephone: 00800 0 FANATEC or +49 (871) 9221-122
Japan Telephone: 03-6717-2719 or +49 (871) 9221-122
Email: info.webshop@fanatec.com
Internet: www.fanatec.com - www.corsair.com



CORSAIR MEMORY, BV.
Wormerweg 8, 1311 XB, Almere, Netherlands

CORSAIR COMPONENTS, Ltd.
1020 Eskdale Road, Winnersh Triangle,
Wokingham, RG41 5TS, UK

CORSAIR MEMORY, Inc.
115 North McCarthy Blvd, Milpitas, CA 95035, USA

Designed in Germany
Made in China